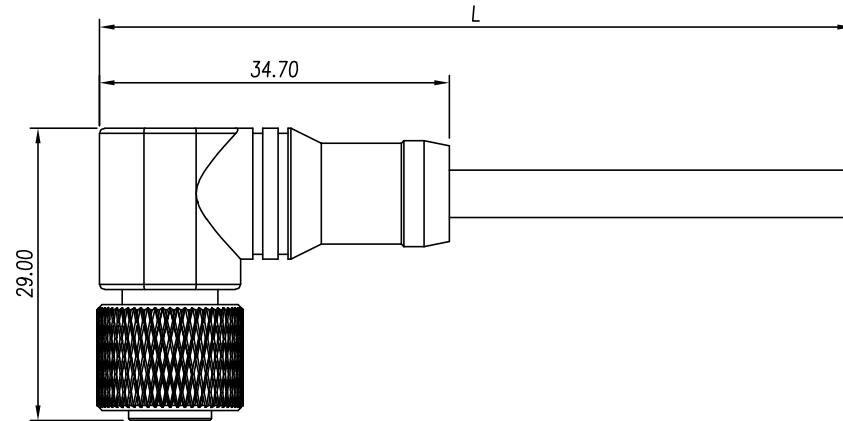
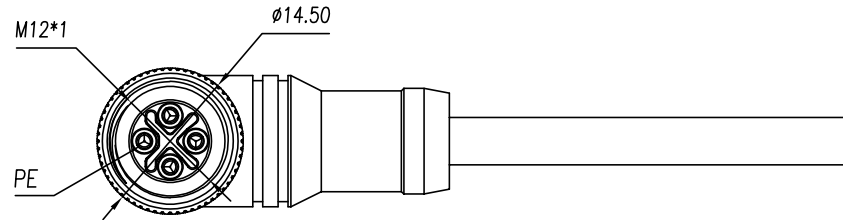


Remarks: Pollution Level (3)/Overvoltage Category (II)/Material Group (I)

REV	ECN	SIGN	DATE	DESCRIPTION
1.1	V1	K. ZHAO	2024/12/20	Drawing update parameters

Number of Positions	3P	4P		
Coding				
Current/Voltage	12A/630V	12A/630V		
Voltage Proof	3.31kV	3.31kV		
Rated Impulse Voltage	6.0kV	6.0kV		
Wire specifications	1.5mm ² /16AWG	1.5mm ² /16AWG		
Wire Color	PIN	WIRE	PIN	WIRE
	1	Black	1	Black
	2		2	Black
	3	Black	3	Black
	PE	Yellow/Green	PE	Yellow/Green



Technical Parameter:

- Insulation Resistance: $\geq 100M\Omega$
- Contact Resistance: $\leq 5m\Omega$
- Durability: ≥ 100 cycles
- Locking Torque: 0.4Nm
- Compliant with RoHS
- Protection Level: IP68
(1 meter water depth, 24 hours); IP69K
- Cable: PVC/PUR sheathed wire, black outer sheath
- Temperature Range: $-25^{\circ}C \sim 85^{\circ}C$
- Cable Length Tolerance:
 01~03m: $\pm 25mm$
 04~06m: $\pm 50mm$
 07~10m: $\pm 75mm$
 11~20m: $\pm 100mm$
 21~30m: $\pm 200mm$
 31~99m: $\pm 300mm$

5PM-M12S - XXP - FF-SL8AXX - 00AH
 Coding: A,B,D,S,T Poles Cable length: Standard
 01: 01Meter
 02: 02Meters
 .
 .
 99: 99Meters

Remark: This drawing is a controlled document for Cymanu. All specifications are subject to change without prior notice.

		DRAWN: K. ZHAO	DATE: 08/10/2021	PART NO: 5PM-M12S-XXP-FF-SR8AXX-00AH	Cymanu 賜宇電子 NINGBO CHANGYU ELECTRONICS MANUFACTURING CO., LTD Email: sales@cymanu.com WWW.CYMANU.COM
SIZE: A4	SCALE: 4 : 3	CHECKED: T. Pan	DATE: 08/10/2021	TITLE: M12S, Female end of elbow	
UNIT: mm	SHEET: 1 / 1	APPROVED: H. JIANG	DATE: 08/10/2021	CUSTOMER:	