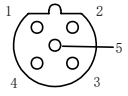
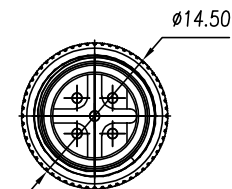
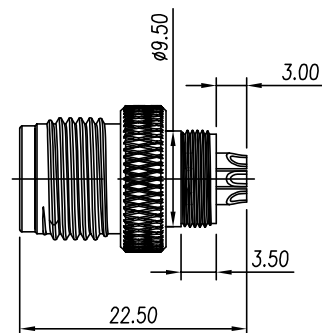
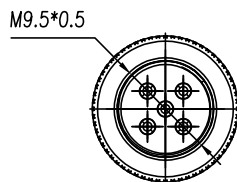


Remarks: Pollution Level (3)/Overvoltage Category (II)/Material Group (I)

REV	ECN	SIGN	DATE	DESCRIPTION
1.1	V1	K. ZHAO	2024/12/21	Drawing update parameters

Number of Positions	5P
Coding	
Current/Voltage	4A/60V
Voltage Proof	1.0kV
Rated Impulse Voltage	1.5kV





Technical Parameter:

1. Insulation Resistance: $\geq 100M\Omega$
2. Contact Resistance: $\leq 10m\Omega$
3. Durability: ≥ 100 cycles
4. Locking Torque: 0.4Nm
5. Compliant with RoHS
6. Protection Level: IP68
(1 meter water depth, 24 hours); IP69K
7. Temperature Range: $-25^{\circ}C \sim 85^{\circ}C$

5PM-M12B - 05P - MM-SL7000 - 00AH
 Coding: A,B,D,S,T
 Poles
 Standard

Remark: This drawing is a controlled document for Cymanu. All specifications are subject to change without prior notice.

		DRAWN: K. ZHAO	DATE: 08/10/2021	PART NO: 5PM-M12B-05P-MM-SL7000-00AH	Cymanu 曷宇电子 NINGBO CHANGYU ELECTRONICS MANUFACTURING CO., LTD Email: sales@cymanu.com WWW.CYMANU.COM
SIZE: A4	SCALE: 4 : 3	CHECKED: T. Pan	DATE: 08/10/2021	TITLE: M12B, Male plug connector	
UNIT: mm	SHEET: 1 / 1	APPROVED: H. JIANG	DATE: 08/10/2021	CUSTOMER:	