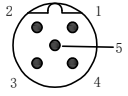
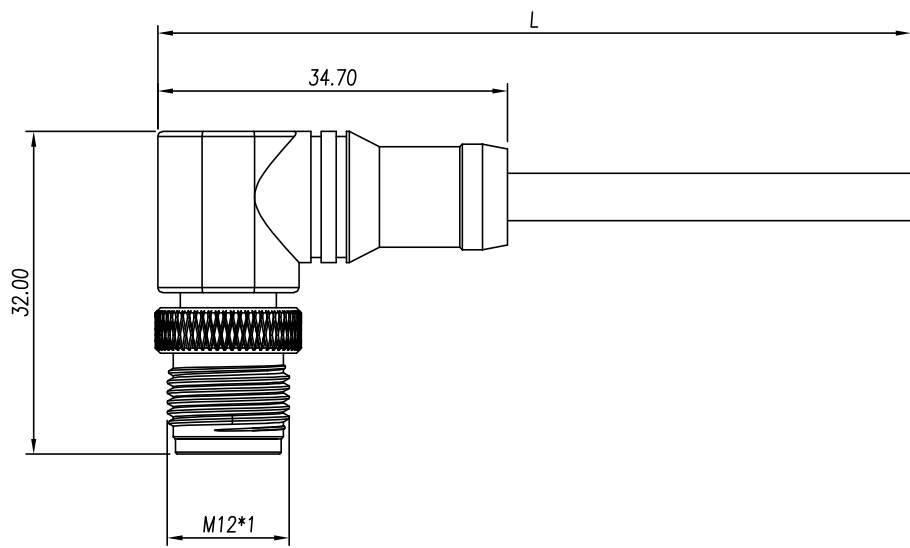
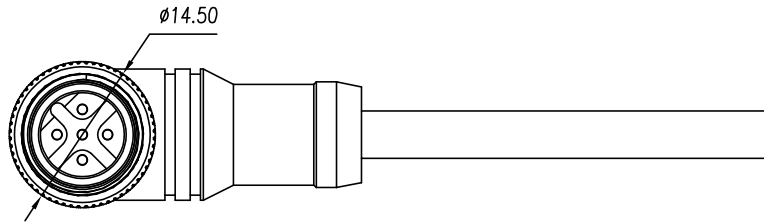


Remarks: Pollution Level (3)/Overvoltage Category (II)/Material Group (I)

REV	ECN	SIGN	DATE	DESCRIPTION
1.1	V1	K. ZHAO	2024/12/19	Drawing update parameters

Number of Positions	5P	
Coding		
Current/Voltage	4A/60V	
Voltage Proof	1.0kV	
Rated Impulse Voltage	1.5kV	
Wire specifications	0.34mm <sup>2</sup> /22AWG	
Wire Color	PIN	
	1	Brown
	2	White
	3	Blue
	4	Black
5	Gray	





Technical Parameter:

1. Insulation Resistance:  $\geq 100M\Omega$
2. Contact Resistance:  $\leq 10m\Omega$
3. Durability:  $\geq 100$  cycles
4. Locking Torque: 0.4Nm
5. Compliant with RoHS
6. Protection Level: IP68  
(1 meter water depth, 24 hours); IP69K
7. Cable: PVC/PUR sheathed wire, black outer sheath
8. Temperature Range:  $-25^{\circ}C \sim 85^{\circ}C$
9. Cable Length Tolerance:
  - 01~03m:  $\pm 25mm$
  - 04~06m:  $\pm 50mm$
  - 07~10m:  $\pm 75mm$
  - 11~20m:  $\pm 100mm$
  - 21~30m:  $\pm 200mm$
  - 31~99m:  $\pm 300mm$

5PM-M12B - 05P - MM-SR8AXX - 00AH  
 Coding: A,B,D,S,T      Poles  
 Cable length:  
 01: 01Meter  
 02: 02Meters  
 .  
 .  
 99: 99Meters

Remark: This drawing is a controlled document for Cymanu. All specifications are subject to change without prior notice.

		DRAWN: <b>K. ZHAO</b>	DATE: <b>08/10/2021</b>	PART NO: <b>5PM-M12B-05P-MM-SR8AXX-00AH</b>	<b>Cymanu</b> 賜宇電子 NINGBO CHANGYU ELECTRONICS MANUFACTURING CO., LTD Email: sales@cymanu.com      WWW.CYMANU.COM
SIZE: <b>A4</b>	SCALE: <b>4 : 3</b>	CHECKED: <b>T. Pan</b>	DATE: <b>08/10/2021</b>	TITLE: <b>M12B, Male end of elbow</b>	
UNIT: mm	SHEET: <b>1 / 1</b>	APPROVED: <b>H. JIANG</b>	DATE: <b>08/10/2021</b>	CUSTOMER:	