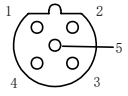
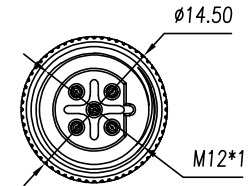
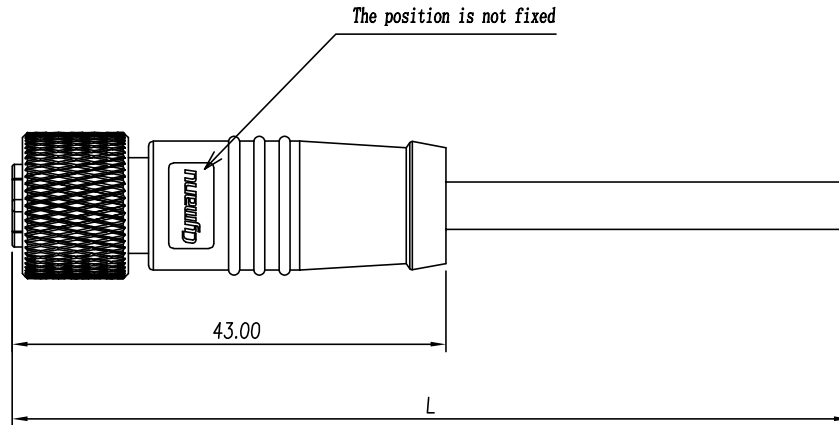


Remarks: Pollution Level (3)/Overvoltage Category (II)/Material Group (I)

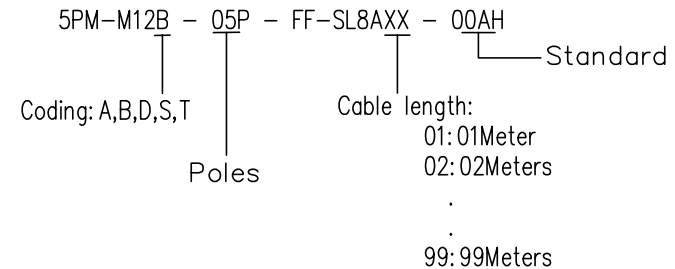
REV	ECN	SIGN	DATE	DESCRIPTION
1.1	V1	K. ZHAO	2024/12/19	Drawing update parameters

Number of Positions	5P	
Coding		
Current/Voltage	4A/60V	
Voltage Proof	1.0kV	
Rated Impulse Voltage	1.5kV	
Wire specifications	0.34mm ² /22AWG	
Wire Color	PIN	WIRE
	1	Brown
	2	White
	3	Blue
	4	Black
	5	Gray






Technical Parameter:

- Insulation Resistance: $\geq 100M\Omega$
- Contact Resistance: $\leq 10m\Omega$
- Durability: ≥ 100 cycles
- Locking Torque: 0.4Nm
- Compliant with RoHS
- Protection Level: IP68
(1 meter water depth, 24 hours); IP69K
- Cable: PVC/PUR sheathed wire, black outer sheath
- Temperature Range: $-25^{\circ}C \sim 85^{\circ}C$
- Cable Length Tolerance:
 - 01~03m: $\pm 25mm$
 - 04~06m: $\pm 50mm$
 - 07~10m: $\pm 75mm$
 - 11~20m: $\pm 100mm$
 - 21~30m: $\pm 200mm$
 - 31~99m: $\pm 300mm$



Remark: This drawing is a controlled document for Cymanu. All specifications are subject to change without prior notice.

		DRAWN: K. ZHAO	DATE: 08/10/2021	PART NO: 5PM-M12B-05P-FF-SL8AXX-00AH	 NINGBO CHANGYU ELECTRONICS MANUFACTURING CO., LTD Email: sales@cymanu.com WWW.CYMANU.COM
SIZE: A4	SCALE: 4 : 3	CHECKED: T. Pan	DATE: 08/10/2021	TITLE: M12B, Straight headed female end	
UNIT: mm	SHEET: 1 / 1	APPROVED: H. JIANG	DATE: 08/10/2021	CUSTOMER:	