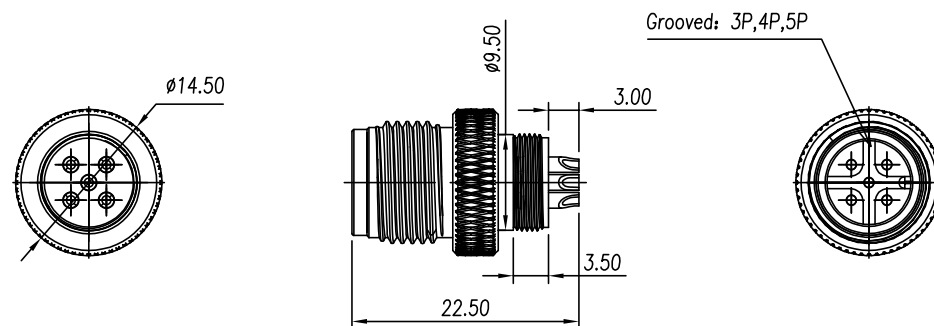


Remarks: Pollution Level (3)/Overvoltage Category (II)/Material Group (I)

| Number of Positions   | 3P      | 4P       | 5P       | 6P     |
|-----------------------|---------|----------|----------|--------|
| Coding                |         |          |          |        |
| Current/Voltage       | 4A/250V | 4A/250V  | 4A/60V   | 2A/30V |
| Voltage Proof         | 1.4kV   | 1.4kV    | 1.0kV    | 0.65kV |
| Rated Impulse Voltage | 2.5kV   | 2.5kV    | 1.5kV    | 0.8kV  |
| Number of Positions   | 8P      | 10P      | 12P      |        |
| Coding                |         |          |          |        |
| Current/Voltage       | 2A/30V  | 1.5A/30V | 1.5A/30V |        |
| Voltage Proof         | 0.65kV  | 0.5kV    | 0.5kV    |        |
| Rated Impulse Voltage | 0.8kV   | 0.8kV    | 0.8kV    |        |

| REV | ECN | SIGN    | DATE       | DESCRIPTION               |
|-----|-----|---------|------------|---------------------------|
| 1.1 | V1  | K. ZHAO | 2024/12/21 | Drawing update parameters |



Technical Parameter:

- Insulation Resistance:  $\geq 100M\Omega$
- Contact Resistance:  $\leq 10m\Omega$
- Durability:  $\geq 100$  cycles
- Locking Torque: 0.4Nm
- Compliant with RoHS
- Protection Level: IP68  
(1 meter water depth, 24 hours); IP69K
- Temperature Range:  $-25^{\circ}C \sim 85^{\circ}C$

5PM-M12A - XXP - MM-SL7000 - 00AH  
 Coding: A,B,D,S,T  
 Poles  
 Standard

|                | linear dimension |               |               |               |                |                 |                 | ≡   | —     | □            | //             | ⊥               |
|----------------|------------------|---------------|---------------|---------------|----------------|-----------------|-----------------|-----|-------|--------------|----------------|-----------------|
| variable range | to 10            | over 18 to 30 | over 30 to 50 | over 50 to 80 | over 80 to 120 | over 120 to 160 | over 160 to 200 | all | to 5  | over 5 to 30 | over 30 to 120 | over 120 to 200 |
| tolerance      | ±0.15            | ±0.25         | ±0.35         | ±0.45         | ±0.60          | ±0.75           | ±0.90           | 0.5 | 0.025 | 0.06         | 0.12           | 0.4             |

Remark: This drawing is a controlled document for Cymanu. All specifications are subject to change without prior notice.

|          |              |                    |                  |                                      |   |
|----------|--------------|--------------------|------------------|--------------------------------------|---|
|          |              | DRAWN: K. ZHAO     | DATE: 08/10/2021 | PART NO: 5PM-M12A-XXP-MM-SL7000-00AH | <b>Cymanu</b> 賜宇電子                                |
| SIZE: A4 | SCALE: 4 : 3 | CHECKED: T. Pan    | DATE: 08/10/2021 | TITLE: M12A, Male plug connector     |   |
| UNIT: mm | SHEET: 1 / 1 | APPROVED: H. JIANG | DATE: 08/10/2021 | CUSTOMER:                            |   |
|          |              |                    |                  |                                      | NINGBO CHANGYU ELECTRONICS MANUFACTURING CO., LTD |
|          |              |                    |                  |                                      | Email: sales@cymanu.com                           |
|          |              |                    |                  |                                      | WWW.CYMANU.COM                                    |