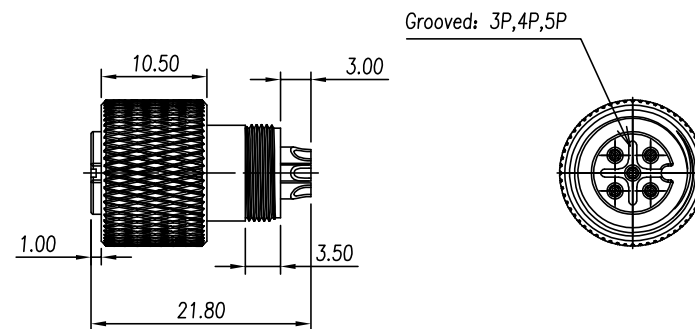
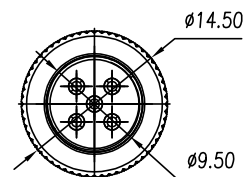


Remarks: Pollution Level (3)/Overvoltage Category (II)/Material Group (I)

Number of Positions	3P	4P	5P	6P
Coding				
Current/Voltage	4A/250V	4A/250V	4A/60V	2A/30V
Voltage Proof	1.4kV	1.4kV	1.0kV	0.65kV
Rated Impulse Voltage	2.5kV	2.5kV	1.5kV	0.8kV
Number of Positions	8P	10P	12P	
Coding				
Current/Voltage	2A/30V	1.5A/30V	1.5A/30V	
Voltage Proof	0.65kV	0.5kV	0.5kV	
Rated Impulse Voltage	0.8kV	0.8kV	0.8kV	

REV	ECN	SIGN	DATE	DESCRIPTION
1.1	V1	K. ZHAO	2024/12/21	Drawing update parameters



Technical Parameter:

- Insulation Resistance:  $\geq 100M\Omega$
- Contact Resistance:  $\leq 10m\Omega$
- Durability:  $\geq 100$  cycles
- Locking Torque: 0.4Nm
- Compliant with RoHS
- Protection Level: IP68  
(1 meter water depth, 24 hours); IP69K
- Temperature Range:  $-25^{\circ}C \sim 85^{\circ}C$

5PM-M12A - XXP - FF-SL7000 - 00AH  
 Coding: A,B,D,S,T  
 Poles  
 Standard

variable range	linear dimension							≡	—	□	//	⊥
	to 10	over 18 to 30	over 30 to 50	over 50 to 80	over 80 to 120	over 120 to 160	over 160 to 200					
tolerance	±0.15	±0.25	±0.35	±0.45	±0.60	±0.75	±0.90	0.5	0.025	0.06	0.12	0.4

Remark: This drawing is a controlled document for Cymanu. All specifications are subject to change without prior notice.

		DRAWN: K. ZHAO	DATE: 08/10/2021	PART NO: 5PM-M12A-XXP-FF-SL7000-00AH
SIZE: A4	SCALE: 4 : 3	CHECKED: T. Pan	DATE: 08/10/2021	TITLE: M12A, Female plug connector
UNIT: mm	SHEET: 1 / 2	APPROVED: H. JIANG	DATE: 08/10/2021	CUSTOMER:

**Cymanu** 賜宇電子  
 NINGBO CHANGYU ELECTRONICS MANUFACTURING CO., LTD  
 Email: sales@cymanu.com WWW.CYMANU.COM