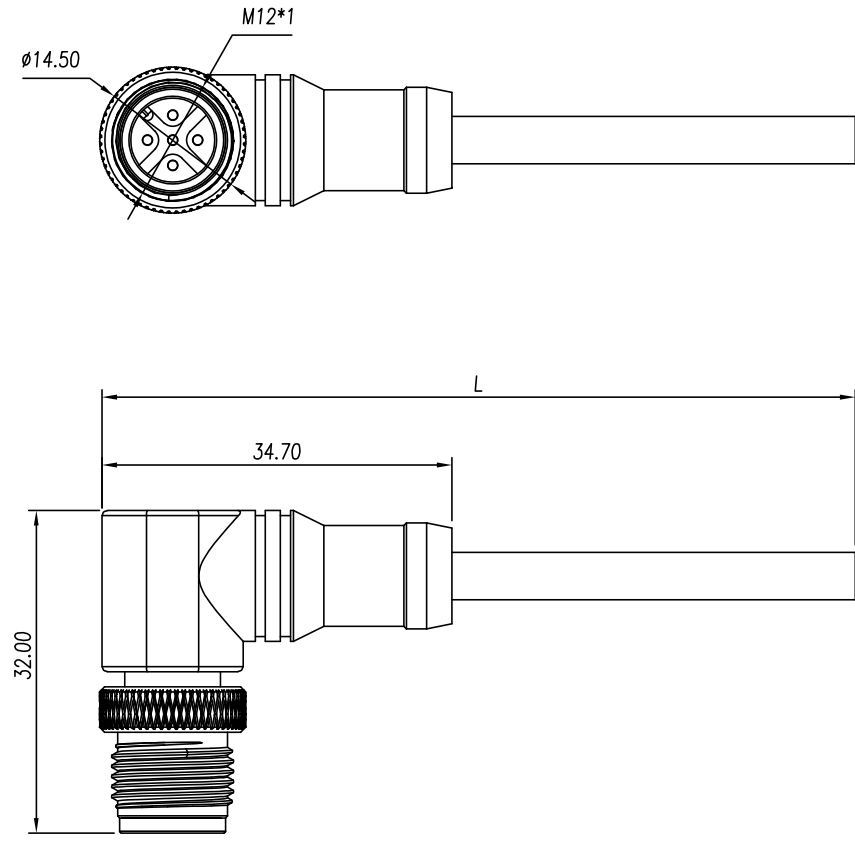


REV	ECN	SIGN	DATE	DESCRIPTION
1.1	V1	K. ZHAO	2024/12/19	Drawing update parameters



Technical Parameter:

- Insulation Resistance:  $\geq 100M\Omega$
- Contact Resistance:  $\leq 10m\Omega$
- Durability:  $\geq 100$  cycles
- Locking Torque: 0.4Nm
- Compliant with RoHS
- Protection Level: IP68  
(1 meter water depth, 24 hours); IP69K
- Cable: PVC/PUR sheathed wire, black outer sheath
- Temperature Range:  $-25^{\circ}C \sim 85^{\circ}C$
- Cable Length Tolerance:
  - 01~03m:  $\pm 25mm$
  - 04~06m:  $\pm 50mm$
  - 07~10m:  $\pm 75mm$
  - 11~20m:  $\pm 100mm$
  - 21~30m:  $\pm 200mm$
  - 31~99m:  $\pm 300mm$

5PM-M12A - XXP - MM-SR8AXX - 00AH  
 Coding: A,B,D,S,T      Poles      Cable length:      Standard  
 01: 01Meter  
 02: 02Meters  
 .  
 .  
 99: 99Meters

Remark: This drawing is a controlled document for Cymanu. All specifications are subject to change without prior notice.

	SIZE:	A4	SCALE:	4 : 3	DRAWN:	K. ZHAO	DATE:	08/10/2021	PART NO:	5PM-M12A-XXP-MM-SR8AXX-00AH
	UNIT: mm		SHEET:	1 / 2	CHECKED:	T. Pan	DATE:	08/10/2021	TITLE:	M12A, Male end of elbow
			APPROVED:	H. JIANG	DATE:	08/10/2021	CUSTOMER:			

**Cymanu** 曷宇电子  
 NINGBO CHANGYU ELECTRONICS MANUFACTURING CO., LTD  
 Email: sales@cymanu.com      WWW.CYMANU.COM

REV	ECN	SIGN	DATE	DESCRIPTION
1.1	V1	K. ZHAO	2024/12/19	Drawing update parameters

Remarks: Pollution Level (3)/Overvoltage Category (II)/Material Group (I)

Number of Positions	3P		4P		5P		6P		8P		10P		12P	
Coding														
Current/Voltage	4A/250V		4A/250V		4A/60V		2A/30V		2A/30V		1.5A/30V		1.5A/30V	
Voltage Proof	1.4kV		1.4kV		1.0kV		0.65kV		0.65kV		0.5kV		0.5kV	
Rated Impulse Voltage	2.5kV		2.5kV		1.5kV		0.8kV		0.8kV		0.8kV		0.8kV	
Wire specifications	0.34mm <sup>2</sup> /22AWG		0.34mm <sup>2</sup> /22AWG		0.34mm <sup>2</sup> /22AWG		0.25mm <sup>2</sup> /24AWG		0.25mm <sup>2</sup> /24AWG		0.14mm <sup>2</sup> /26AWG		0.14mm <sup>2</sup> /26AWG	
Wire Color	PIN	WIRE	PIN	WIRE	PIN	WIRE	PIN	WIRE	PIN	WIRE	PIN	WIRE	PIN	WIRE
	1	Brown	1	Brown	1	Brown	1	White	1	White	1	White	1	White
	2		2	White	2	White	2	Brown	2	Brown	2	Brown	2	Brown
	3	Blue	3	Blue	3	Blue	3	Green	3	Green	3	Green	3	Green
	4	Black	4	Black	4	Black	4	Yellow	4	Yellow	4	Yellow	4	Yellow
					5	Gray	5	Gray	5	Gray	5	Gray	5	Gray
							6	Pink	6	Pink	6	Pink	6	Pink
									7	Blue	7	Blue	7	Blue
									8	Red	8	Red	8	Red
											9	Black	9	Black
											10	Violet	10	Violet
													11	Grey/Pink
													12	Red/Blue

Remark: This drawing is a controlled document for Cymanu. All specifications are subject to change without prior notice.

	SCALE:	4 : 3	CHECKED:	T. Pan	DATE:	08/10/2021	PART NO:	5PM-M12A-XXP-MM-SR8AXX-00AH	
	SIZE:	A4	APPROVED:	H. JIANG	DATE:	08/10/2021	TITLE:	M12A, Male end of elbow	
	UNIT:mm	2 / 2			DATE:	08/10/2021	CUSTOMER:		
								NINGBO CHANGYU ELECTRONICS MANUFACTURING CO., LTD Email: sales@cymanu.com      WWW.CYMANU.COM	