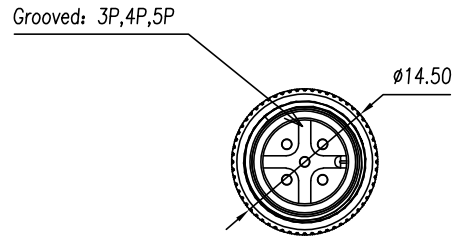
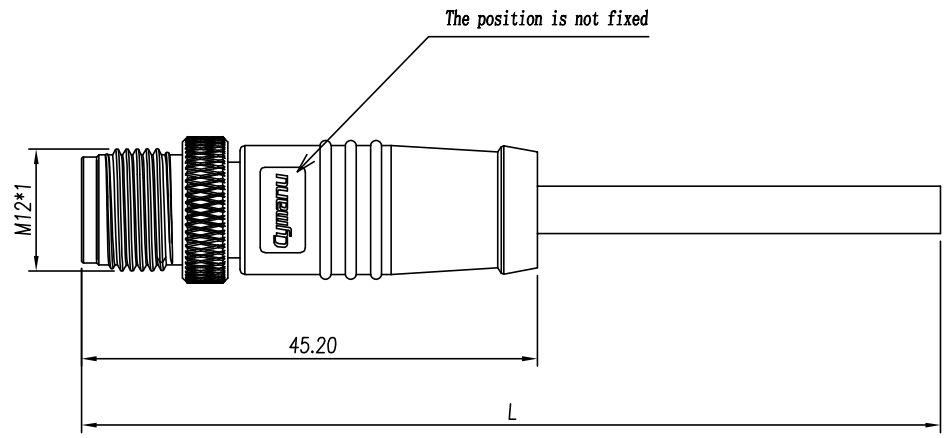


REV	ECN	SIGN	DATE	DESCRIPTION
1.1	V1	K. ZHAO	2024/12/18	Drawing update parameters



5PM-M12A - XXP - MM-SL8AXX - 00AH Standard

Coding: A,B,D,S,T Poles

Cable length:
 01: 01Meter
 02: 02Meters
 .
 .
 99: 99Meters

Technical Parameter:

1. Insulation Resistance: $\geq 100\Omega$
2. Contact Resistance: $\leq 10m\Omega$
3. Durability: ≥ 100 cycles
4. Locking Torque: 0.4Nm
5. Compliant with RoHS
6. Protection Level: IP68
(1 meter water depth, 24 hours); IP69K
7. Cable: PVC/PUR sheathed wire, black outer sheath
8. Temperature Range: $-25^{\circ}\text{C} \sim 85^{\circ}\text{C}$
9. Cable Length Tolerance:
 01~03m: $\pm 25\text{mm}$
 04~06m: $\pm 50\text{mm}$
 07~10m: $\pm 75\text{mm}$
 11~20m: $\pm 100\text{mm}$
 21~30m: $\pm 200\text{mm}$
 31~99m: $\pm 300\text{mm}$

Remark: This drawing is a controlled document for Cymanu. All specifications are subject to change without prior notice.

 SIZE: A4 UNIT: mm	 SCALE: 4 : 3	DRAWN: K. ZHAO DATE: 08/10/2021	PART NO: 5PM-M12A-XXP-MM-SL8AXX-00AH DATE: 08/10/2021	 NINGBO CHANGYU ELECTRONICS MANUFACTURING CO., LTD Email: sales@cymanu.com WWW.CYMANU.COM
	 SHEET: 1 / 2	CHECKED: T. Pan DATE: 08/10/2021	TITLE: M12A, Straight headed male end CUSTOMER:	
	APPROVED: H. JIANG DATE: 08/10/2021			

REV	ECN	SIGN	DATE	DESCRIPTION
1.1	V1	K. ZHAO	2024/12/18	Drawing update parameters

Remarks: Pollution Level (3)/Overtoltage Category (II)/Material Group (I)

Number of Positions	3P		4P		5P		6P		8P		10P		12P	
Coding														
Current/Voltage	4A/250V		4A/250V		4A/60V		2A/30V		2A/30V		1.5A/30V		1.5A/30V	
Voltage Proof	1.4kV		1.4kV		1.0kV		0.65kV		0.65kV		0.5kV		0.5kV	
Rated Impulse Voltage	2.5kV		2.5kV		1.5kV		0.8kV		0.8kV		0.8kV		0.8kV	
Wire specifications	0.34mm ² /22AWG		0.34mm ² /22AWG		0.34mm ² /22AWG		0.25mm ² /24AWG		0.25mm ² /24AWG		0.14mm ² /26AWG		0.14mm ² /26AWG	
Wire Color	PIN	WIRE	PIN	WIRE	PIN	WIRE	PIN	WIRE	PIN	WIRE	PIN	WIRE	PIN	WIRE
	1	Brown	1	Brown	1	Brown	1	White	1	White	1	White	1	White
	2		2	White	2	White	2	Brown	2	Brown	2	Brown	2	Brown
	3	Blue	3	Blue	3	Blue	3	Green	3	Green	3	Green	3	Green
	4	Black	4	Black	4	Black	4	Yellow	4	Yellow	4	Yellow	4	Yellow
					5	Gray	5	Gray	5	Gray	5	Gray	5	Gray
							6	Pink	6	Pink	6	Pink	6	Pink
									7	Blue	7	Blue	7	Blue
									8	Red	8	Red	8	Red
											9	Black	9	Black
											10	Violet	10	Violet
													11	Grey/Pink
													12	Red/Blue

Remark: This drawing is a controlled document for Cymanu. All specifications are subject to change without prior notice.

	DRAWN:	K. ZHAO	DATE:	08/10/2021	PART NO:	5PM-M12A-XXP-MM-SL8AXX-00AH			
	SIZE:	A4	SCALE:	4 : 3	CHECKED:	T. Pan		TITLE:	M12A, Straight headed male end
	UNIT: mm	2 / 2	APPROVED:	H. JIANG	DATE:	08/10/2021		CUSTOMER:	
						NINGBO CHANGYU ELECTRONICS MANUFACTURING CO., LTD Email: sales@cymanu.com WWW.CYMANU.COM			