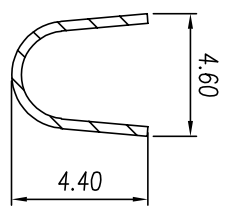
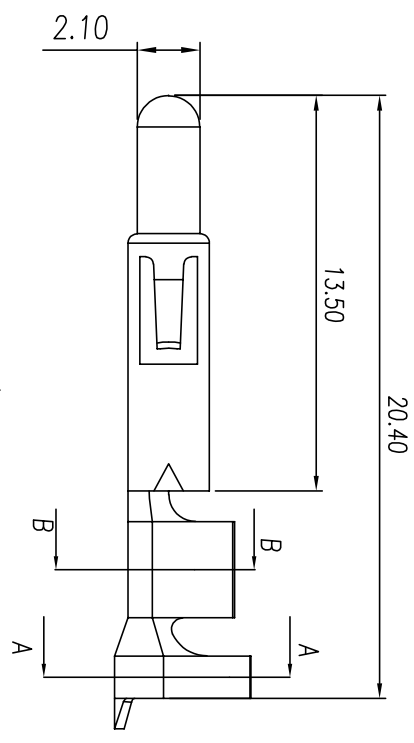
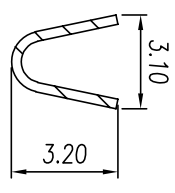
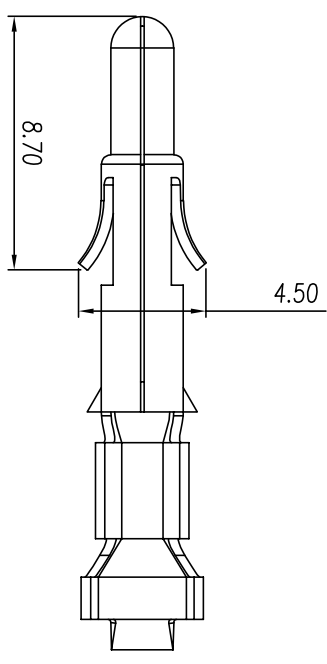


REV	ECN	SIGN	DATE	DESCRIPTION
1.0	V0	K. ZHAO	12/04/2021	



SECTION-A-A



SECTION-B-B

NOTES:

1. Wire range : 0.5 ~ 2 mm², 20 ~ 14 AWG
2. Rate current(A):19
3. Operating temperature: -40°C~+105°C
4. RoHS Compliance
5. Material: COPPERALLOY,SNPLATED

41010520010SN
 Electroplate:
 SN, Tin
 NI, Nickel
 AU, Gold
 Series No
 Stand

Remark: This drawing is a controlled document for GYMANU. All specifications are subject to change without prior notice.

linear dimension	≡	—	□	//	⊥							
tolerance	±0.15	±0.25	±0.35	±0.45	±0.60	±0.75	±0.90	0.5	0.025	0.06	0.12	0.4
variable range	to 10	over 18 to 30	over 30 to 50	over 50 to 80	over 80 to 120	over 120 to 160	over 160 to 200	all	to 5	over 5 to 30	over 30 to 120	over 120 to

SIZE: A4	SCALE: 4:1	DRAWN: K. ZHAO	DATE: 12/04/2021	PART NO.: 41010520010SN
UNIT: mm	SHEET: 1/1	CHECKED: C. LU	DATE: 12/04/2021	TITLE: Connector male terminal
		APPROVED: H. JIANG	DATE: 12/04/2021	CUSTOMER:

Cymanu 瞻宇电子
 NINGBO CHANGYU ELECTRONICS MANUFACTURING CO., LTD
 Email: sales@cymanu.com WWW.CYMANU.COM