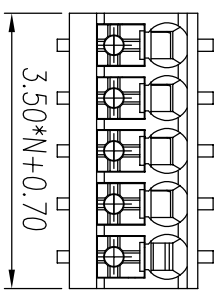
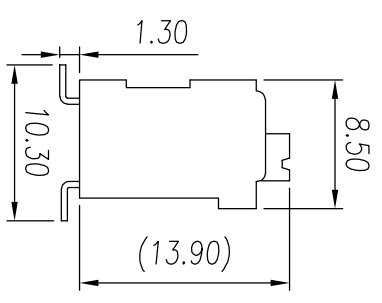
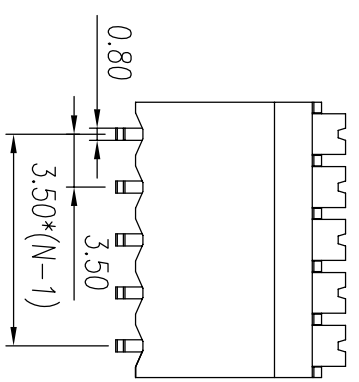
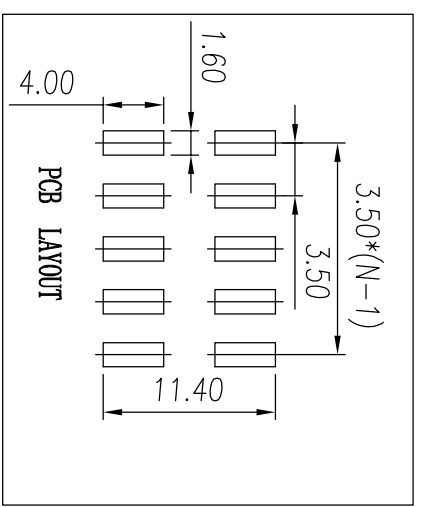
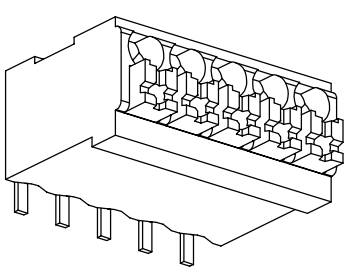


REV	ECN	SIGN	DATE	DESCRIPTION
1.0	V0	K. ZHAO	06/14/2021	



NOTES:  
1. UL Standard

Application	B	C	D
Rate voltage(V)	300	/	300
Rate current(A)	12	/	10
Rate impulse voltage(KV)	1.6		

Wire range : 26 ~ 14 AWG  
2. IEC Standard

Pollution degree	2	2	3
Overvoltage category	II	III	III
Rate impulse voltage(KV)	2.5	2.5	2.5
Rate voltage(V)	250	160	160
Rate current(A)	13.5		

- Wire range : 0.2 ~ 1.5 mm<sup>2</sup>
- 3. Pitch : 3.50 mm, Poles : N = 02~24 P
- 4. Stripping length : 7 ~ 9 mm
- 5. Operating temperature: -40°C~+105°C
- 6. RoHS Compliance
- 7. Material: Housing LCP, UL94V-0  
Pin copper alloy, Sn plated

CYE120VS - 500 - XXP - 1YY - 000A  
Series No | Poles | Standard  
Pitch | Single Pitch | Color: 1Y, white  
2Y, black  
3Y, grey  
4Y, green  
5Y, blue  
6Y, yellow  
7Y, transparent  
8Y, brown

Remark: This drawing is a controlled document for Cymann. All specifications are subject to change without prior notice.

linear dimension	≡	□	//	⊥
over 18 to 30	over 30 to 50	over 50 to 80	over 80 to 120	over 120 to 160
over 160 to 200	all	to 5 to 30	over 30 to 120	over 120 to 180
tolerance ±0.15	±0.25	±0.35	±0.45	±0.60
	±0.75	±0.90	0.5	0.025
	0.06	0.12	0.4	

SIZE: A4	SCALE: 2 : 1	DRAWN: K. ZHAO	DATE: 06/14/2021	PART NO: CYE120VS-350-XXP-1YY-000A
UNIT: mm	SHEET: 1 / 1	CHECKED: C. LU	DATE: 06/14/2021	TITLE: Fixed connector
		APPROVED: H. JIANG	DATE: 06/14/2021	CUSTOMER:

**Cymannu** 囍字電子  
NINGBO CHANGYU ELECTRONICS MANUFACTURING CO., LTD  
Email: sales@cymannu.com WWW.CYMANNU.COM