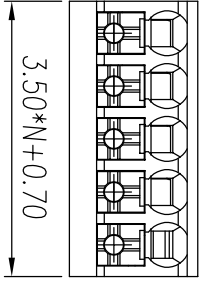
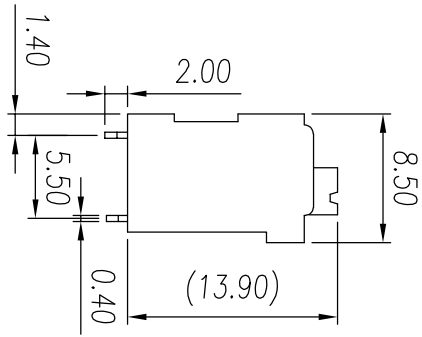
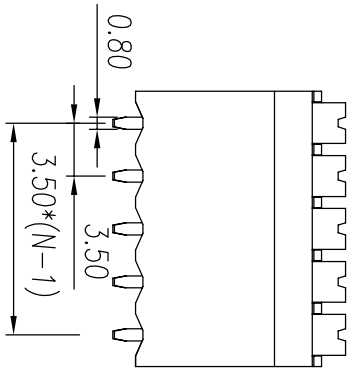
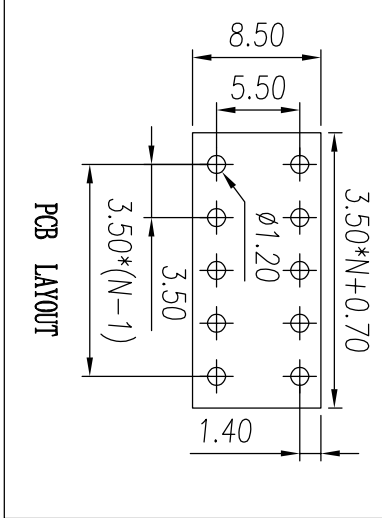
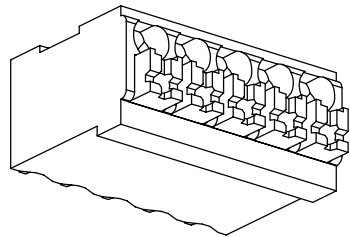


REV	ECN	SIGN	DATE	DESCRIPTION
1.0	V0	K. ZHAO	06/14/2021	



NOTES:

1. UL Standard

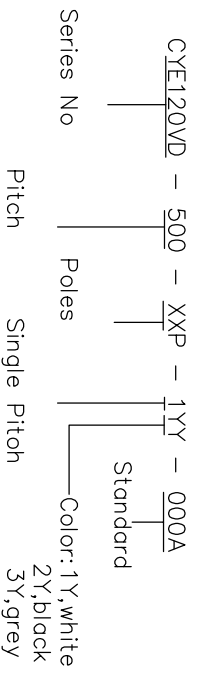
Application	B	C	D
Rate voltage(V)	300	/	300
Rate current(A)	12	/	10
Rate impulse voltage(KV)	1.6		

Wire range : 26 ~ 14 AWG

2. IEC Standard

Pollution degree	2	2	3
Overvoltage category	II	III	III
Rate impulse voltage(KV)	2.5	2.5	2.5
Rate voltage(V)	250	160	160
Rate current(A)	13.5		

- Wire range : 0.2 ~ 1.5 mm²
- 3. Pitch : 3.50 mm, Poles : N = 02~24 P
- 4. Stripping length : 7 ~ 9 mm
- 5. Operating temperature: -40°C~+105°C
- 6. RoHS Compliance
- 7. Material: Housing LCP, UL94V-0
- Pin copper alloy, Sn plated



Remark: This drawing is a controlled document for Cymann. All specifications are subject to change without prior notice.

linear dimension	over 18 to 30	over 30 to 50	over 50 to 80	over 80 to 120	over 120 to 160	over 160 to 200	all	over 5 to 30	over 30 to 120			
tolerance	±0.15	±0.25	±0.35	±0.45	±0.60	±0.75	±0.90	0.5	0.025	0.06	0.12	0.4

SIZE: A4	SCALE: 2 : 1	CHECKED: C. LU	APPROVED: H. JIANG
UNIT: mm	SHEET: 1 / 1		

DATE: 06/14/2021	DATE: 06/14/2021	DATE: 06/14/2021
DRAMAN: K. ZHAO	CHECKED: C. LU	APPROVED: H. JIANG
PART NO: CYE120VD-350-XXP-1YY-000A	TITLE: Fixed connector	CUSTOMER:

Cymann 矽宇電子

NINGBO CHANGYU ELECTRONICS MANUFACTURING CO., LTD

Email: sales@cymann.com WWW.CYMANNU.COM