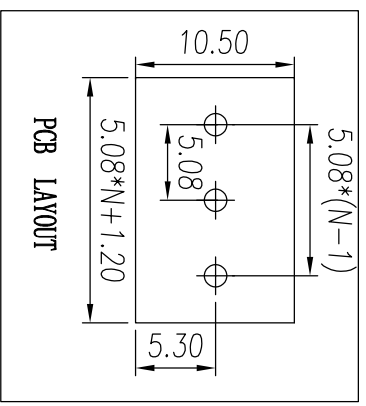


REV	ECN	SIGN	DATE	DESCRIPTION
1.0	V0	K. ZHAO	04/26/2021	



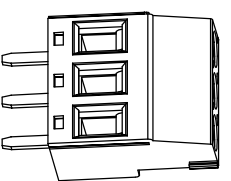
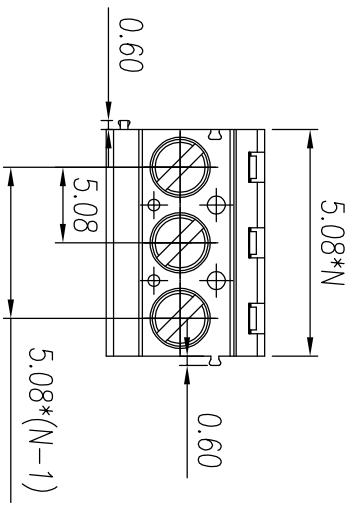
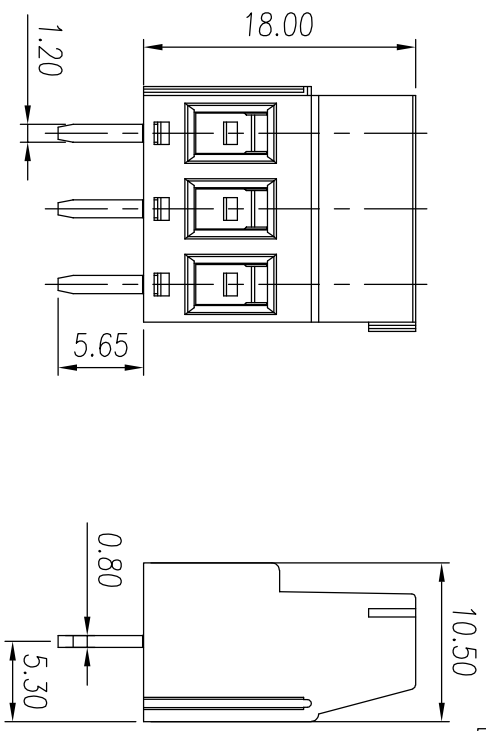
NOTES:
1. UL Standard

Application	B	C	D
Rate voltage(V)	300	/	300
Rate current(A)	20	/	10
Rate impulse voltage(KV)	1.6		

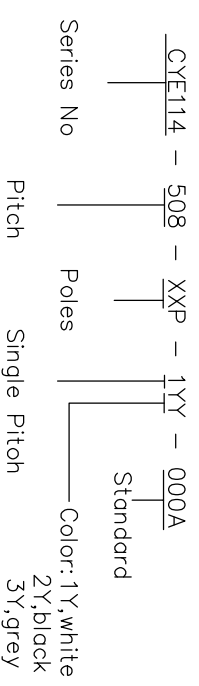
Wire range : 26 ~ 12 AWG

2. IEC Standard

Pollution degree	2	2	3
Overvoltage category	II	III	III
Rate impulse voltage(KV)	4	4	4
Rate voltage(V)	630	320	250
Rate current(A)	20		



- Wire range : 0.2 ~ 2.5 mm²
- 3. Torque: 0.5 N.m(4.43 Lb.in)
- 4. Pitch : 5.08 mm, Poles : N=02/03 P
- 5. Stripping length : 7 ~ 8 mm
- 6. Operating temperature: -40°C~+105°C
- 7. RoHS Compliance
- 8. Material: Housing PA66, UL94V-0
Screws M3 Steel, Cr plated
Pin copper alloy, Sn plated



- Color: 1Y, white
2Y, black
3Y, grey
4Y, green
5Y, blue
6Y, yellow
7Y, transparent
8Y, brown

Remark: This drawing is a controlled document for Cymannu. All specifications are subject to change without prior notice.

linear dimension	≡	—	□	//	⊥
over 18 to 30	over 30 to 50	over 50 to 80	over 80 to 120	over 120 to 160	over 160 to 200
tolerance ±0.15	±0.25	±0.35	±0.45	±0.60	±0.75
all	to 5	to 5	to 30	to 30	to 120
0.5	0.025	0.06	0.12	0.4	

SIZE	SCALE	CHECKED	DATE	DATE	DATE
A4	2 : 1	K. ZHAO	04/26/2021	04/26/2021	04/26/2021
UNIT: mm	SHEET: 1 / 1	APPROVED: H. JIANG			

NINGBO CHANGYU ELECTRONICS MANUFACTURING CO., LTD
 Email: sales@cymannu.com WWW.CYMANNU.COM