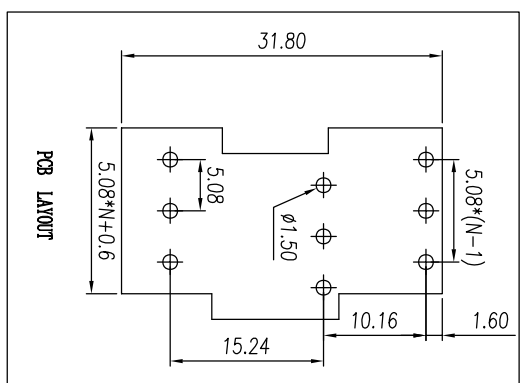
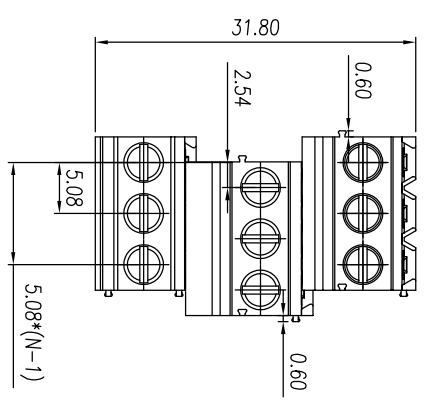
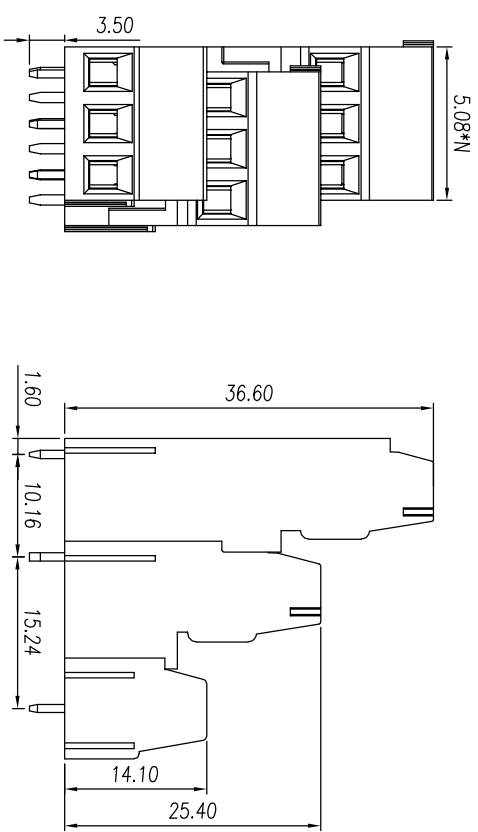
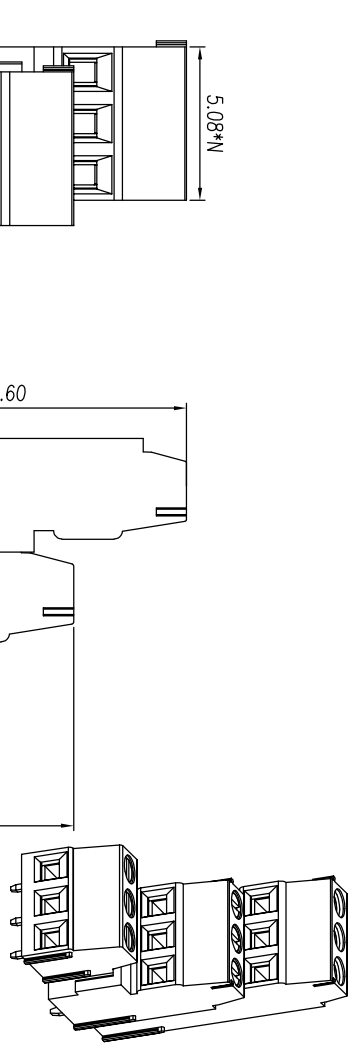


REV	ECN	SIGN	DATE	DESCRIPTION
1.0	V0	K. ZHAO	04/23/2021	



NOTES:  
1. UL Standard

Application	B	C	D
Rate voltage(V)	300	/	300
Rate current(A)	16	/	10
Rate impulse voltage(KV)	1.6		

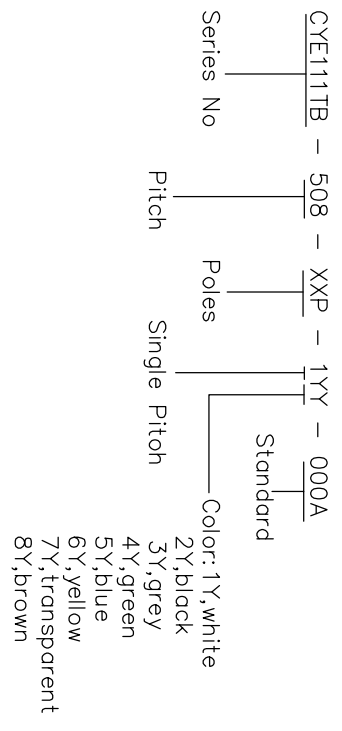
Wire range : 26 ~ 12 AWG

2. IEC Standard

Pollution degree	2	2	3
Overvoltage category	II	III	III
Rate impulse voltage(KV)	4	4	4
Rate voltage(V)	320	250	250
Rate current(A)	18		

Wire range : 0.2 ~ 2.5 mm<sup>2</sup>

- Torque: 0.5 N.m(4.43 Lb.in)
- Pitch : 5.08 mm, Poles : N = 02\*3/03\*3 P
- Stripping length : 7 ~ 8 mm
- Operating temperature: -40°C ~ +105°C
- RoHS Compliance
- Material: Housing PA66, UL94V-0
- Screws M3 Steel/Or plated
- Pin copper alloy, Sn plated



Remark: This drawing is a controlled document for Cymannu. All specifications are subject to change without prior notice.

Linear dimension	≡	□	∥	⊥
over 18 to 30	over 30 to 50	over 50 to 80	over 80 to 120	over 120 to 160
over 160 to 200	all	to 5	to 30	to 120
±0.15	±0.25	±0.35	±0.45	±0.60
0.5	0.025	0.06	0.12	0.4

SIZE: A4	SCALE: 4:3	CHECKED: C. LU	APPROVED: H. JIANG
UNIT: mm	SHEET: 1/1	DATE: 04/23/2021	DATE: 04/23/2021

PARAM: K. ZHAO	DATE: 04/23/2021	PART NO: CYE111TB-508-XXP-1YY-000A
CHECKED: C. LU	DATE: 04/23/2021	TITLE: Fixed connector
APPROVED: H. JIANG	DATE: 04/23/2021	CUSTOMER:

**Cymannu** 囍字電子  
NINGBO CHANGYU ELECTRONICS MANUFACTURING CO., LTD  
Email: sales@cymannu.com WWW.CYMANNU.COM