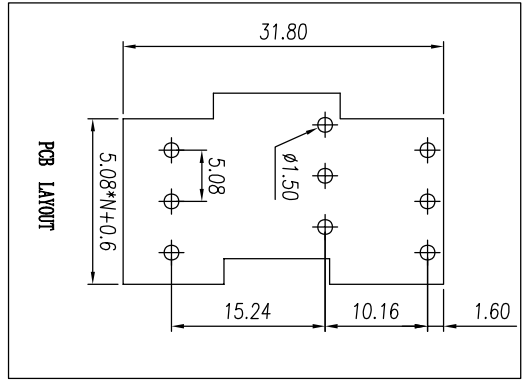
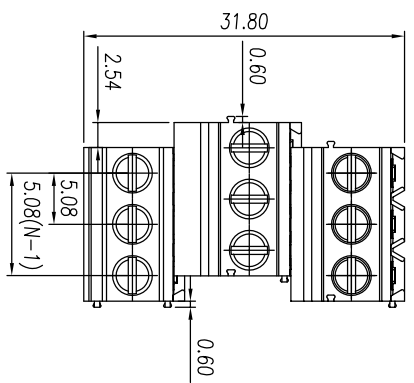
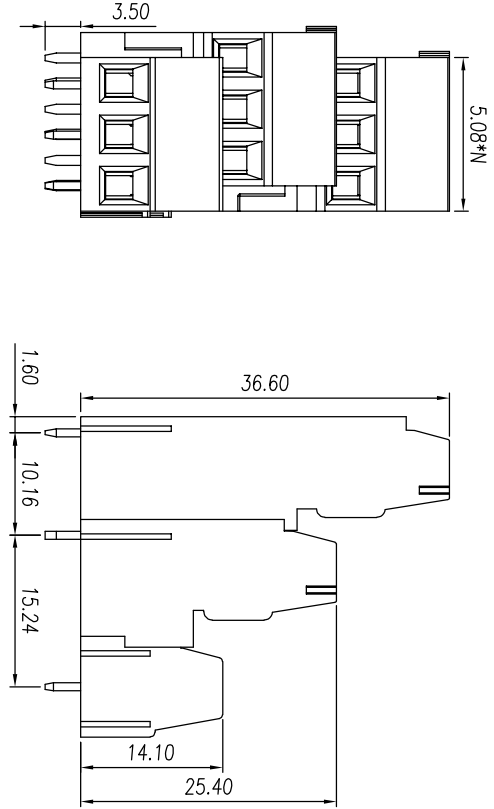
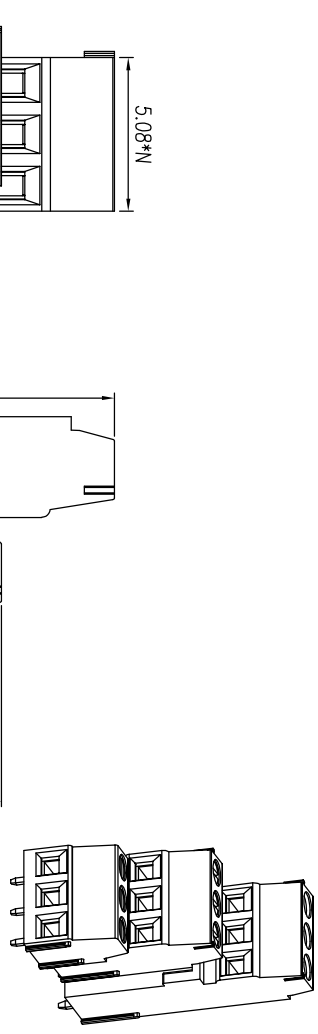


REV	ECN	SIGN	DATE	DESCRIPTION
1.0	V0	K. ZHAO	04/23/2021	



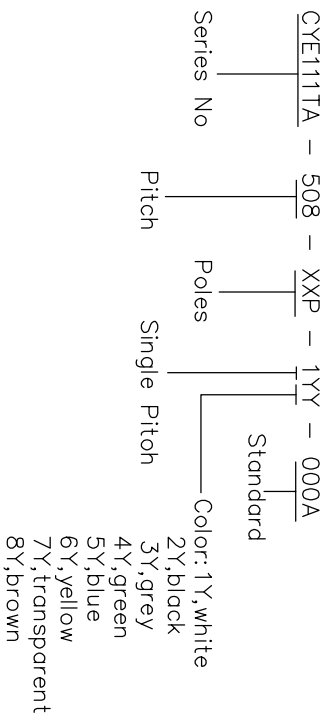
NOTES:
1. UL Standard

Application	B	C	D
Rate voltage(V)	300	/	300
Rate current(A)	16	/	10
Rate impulse voltage(KV)	1.6		

Wire range : 26 ~ 12 AWG
2. IEC Standard

Pollution degree	2	2	3
Overvoltage category	II	III	III
Rate impulse voltage(KV)	4	4	4
Rate voltage(V)	320	250	250
Rate current(A)	18		

- Wire range : 0.2 ~ 2.5 mm²
- 3. Torque: 0.5 N.m(4.43 Lb.in)
- 4. Pitch : 5.08 mm, Poles : N = 02*3/03*3 P
- 5. Stripping length : 7 ~ 8 mm
- 6. Operating temperature: -40°C ~ +105°C
- 7. RoHS Compliance
- 8. Material: Housing PA66, UL94V-0
Screws M3 Steel, Cr plated
Pin copper alloy, Sn plated



Remark: This drawing is a controlled document for Cymannu. All specifications are subject to change without prior notice.

linear dimension	≡	□	∥	⊥
over 18 to 30	over 50 to 80	over 120 to 160	over 160 to 200	all
over 30 to 50	over 80 to 120	over 160 to 200	5 to 30	5 to 30
over 50 to 80	over 120 to 160	over 160 to 200	5 to 30	5 to 30
over 80 to 120	over 160 to 200	0.5 to 0.025	0.06 to 0.12	0.4
over 120 to 160	over 160 to 200	0.025 to 0.06	0.12 to 0.4	
over 160 to 200	0.5 to 0.025	0.06 to 0.12	0.12 to 0.4	
over 200	0.025 to 0.06	0.12 to 0.4		
tolerance ±0.15 to ±0.30	±0.25 to ±0.50	±0.35 to ±0.45	±0.60 to ±0.75	±0.90 to 0.5
variable range	10 to 30	30 to 50	50 to 80	80 to 120

SIZE: A4	SCALE: 4:3	DRAWN: K. ZHAO	CHECKED: C. LU	DATE: 04/23/2021
UNIT: mm	SHEET: 1/1	APPROVED: H. JIANG	DATE: 04/23/2021	

PART NO: CYE111TA-508-XXP-1YY-000A	TITLE: Fixed connector
CUSTOMER:	

Cymannu 囍字电子

NINGBO CHANGYU ELECTRONICS MANUFACTURING CO., LTD

Email: sales@cymannu.com WWW.CYMANNU.COM