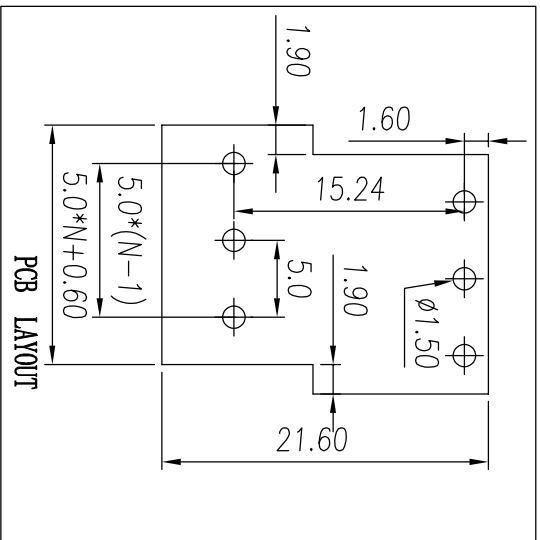
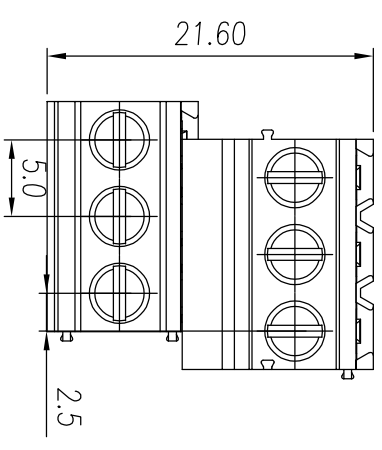
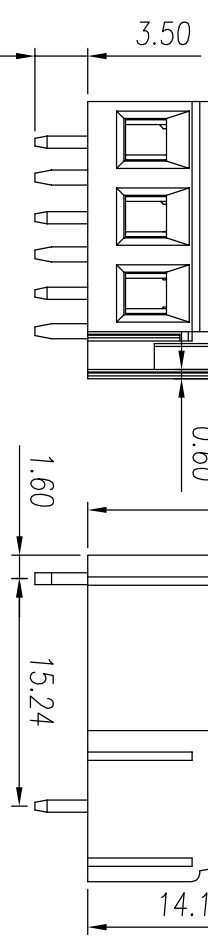
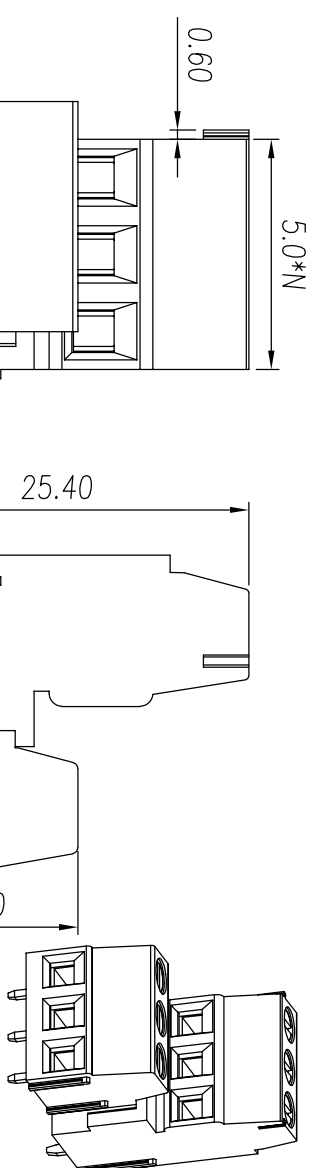


REV	ECN	SIGN	DATE	DESCRIPTION
1.0	V0	K. ZHAO	04/23/2021	



NOTES:  
1. UL Standard

Application	B	C	D
Rate voltage(V)	300	/	300
Rate current(A)	16	/	10
Rate impulse voltage(KV)	1.6		

Wire range : 26 ~ 12 AWG

2. IEC Standard

Pollution degree	2	2	3
Overvoltage category	II	III	III
Rate impulse voltage(KV)	4	4	4
Rate voltage(V)	320	250	250
Rate current(A)	18		

Wire range : 0.2 ~ 2.5 mm<sup>2</sup>

3. Torque: 0.5 N.m(4.43 Lb.in)
4. Pitch : 5.0 mm, Poles : N = 02\*2/03\*2 P
5. Stripping length : 7 ~ 8 mm
6. Operating temperature: -40°C ~ +105°C
7. RoHS Compliance
8. Material: Housing PA66, UL94V-0  
Screws M3 Steel, Cr plated  
Pin copper alloy, Sn plated

CYE111HB - 500 - XXP - 1YY - 000A  
Series No      Pitch      Poles      Single Pitch      Standard  
Color: 1Y, white  
2Y, black  
3Y, grey  
4Y, green  
5Y, blue  
6Y, yellow  
7Y, transparent  
8Y, brown

Remark: This drawing is a controlled document for Cymannu. All specifications are subject to change without prior notice.

linear dimension	≡	—	□	//	L
over 18 to 30	over 30 to 50	over 50 to 80	over 80 to 120	over 120 to 160	over 160 to 200
tolerance ±0.15	±0.25	±0.35	±0.45	±0.60	±0.75
all	to 5	to 5	to 30	to 30	to 120
0.5	0.025	0.06	0.12	0.12	0.4

SIZE: A4	SCALE: 2:1	CHECKED: C. LU	APPROVED: H. JIANG	DATE: 04/23/2021	DATE: 04/23/2021	DATE: 04/23/2021
UNIT: mm	SHEET: 1/1	DRW: K. ZHAO	CHK: C. LU	APP: H. JIANG	DATE: 04/23/2021	DATE: 04/23/2021
PART NO.: CYE111HB-500-XXP-1YY-000A			TITLE: Fixed connector			

NINGBO CHANGYU ELECTRONICS MANUFACTURING CO., LTD  
Email: sales@cymannu.com WWW.CYMANNU.COM

