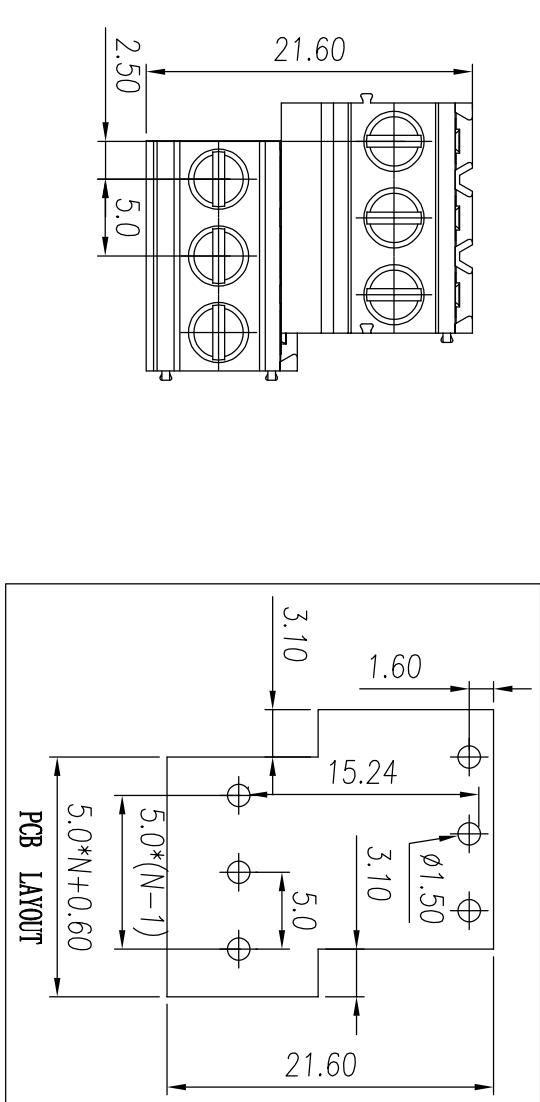
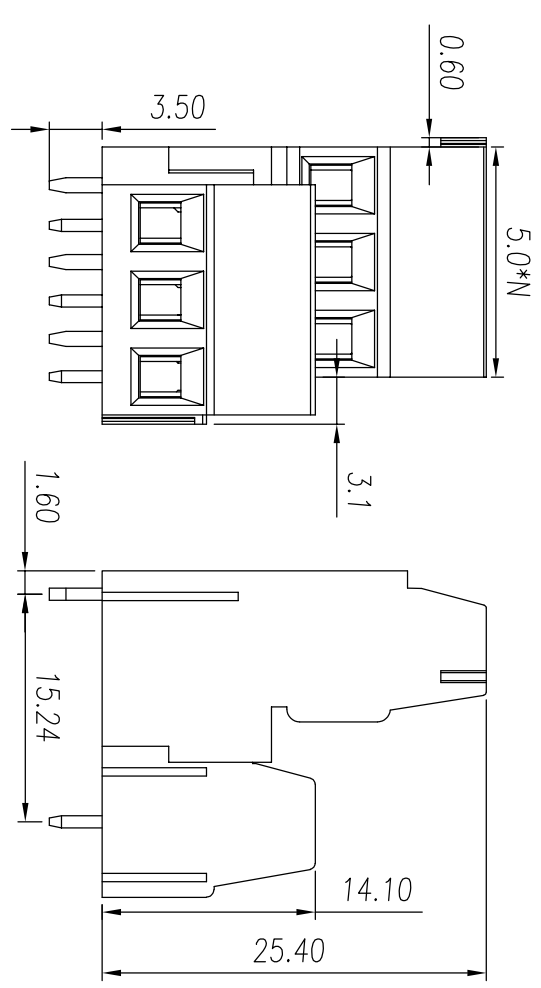
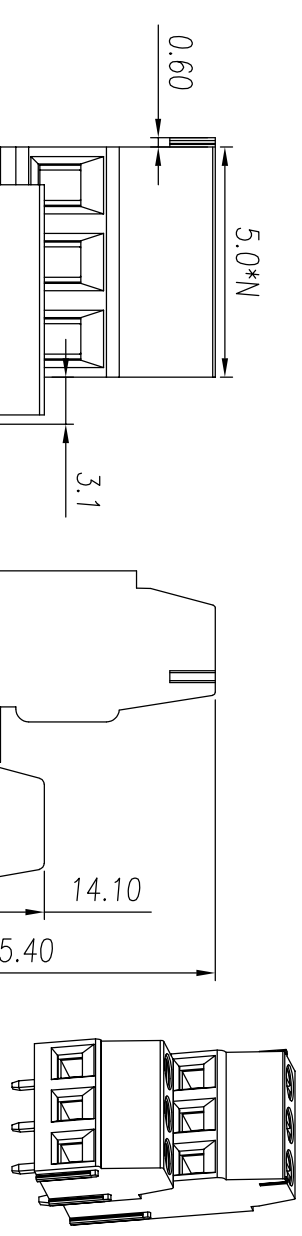


REV	ECN	SIGN	DATE	DESCRIPTION
1.0	V0	K. ZHAO	04/29/2021	



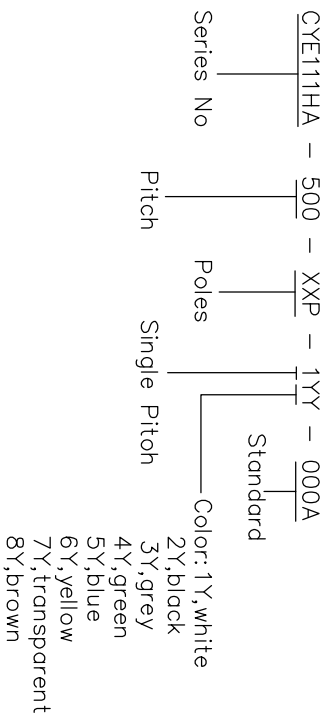
NOTES:  
1. UL Standard

Application	B	C	D
Rate voltage(V)	300	/	300
Rate current(A)	16	/	10
Rate impulse voltage(KV)	1.6		

Wire range : 26 ~ 12 AWG  
2. IEC Standard

Pollution degree	2	2	3
Overvoltage category	II	III	III
Rate impulse voltage(KV)	4	4	4
Rate voltage(V)	320	250	250
Rate current(A)	18		

- Wire range : 0.2 ~ 2.5 mm<sup>2</sup>
- 3. Torque: 0.5 N.m(4.43Lb.in)
- 4. Pitch : 5.08 mm, Poles : N = 02\*2/03\*2 P
- 5. Stripping length : 7 ~ 8 mm
- 6. Operating temperature: -40°C~+105°C
- 7. RoHS Compliance
- 8. Material: Housing PA66, UL94V-0  
Screws M3 Steel, Cr plated  
Pin copper alloy, Sn plated



Remark: This drawing is a controlled document for Cymannu. All specifications are subject to change without prior notice.

linear dimension	≡	□	∥	⊥
over 18 to 30	over 50 to 80	over 120 to 160	over 160 to 200	all
over 30 to 50	over 80 to 120	over 160 to 200	all	5 to 30
over 50 to 80	over 120 to 160	over 160 to 200	all	5 to 30
over 80 to 120	over 160 to 200	all	5 to 30	5 to 30
over 120 to 160	over 160 to 200	all	5 to 30	5 to 30
over 160 to 200	all	5 to 30	5 to 30	5 to 30
all	5 to 30	5 to 30	5 to 30	5 to 30
0.5	0.025	0.06	0.12	0.4

SIZE: A4	SCALE: 2 : 1	DRAWN: K. ZHAO	CHECKED: C. LU	APPROVED: H. JIANG	DATE: 04/29/2021	DATE: 04/29/2021	DATE: 04/29/2021
UNIT: mm	SHEET: 1 / 1	PART NO.: CYE111HA-500-XXP-1YY-000A		TITLE: Fixed connector		CUSTOMER:	

**Cymannu** 囍字电子  
NINGBO CHANGYU ELECTRONICS MANUFACTURING CO., LTD  
Email: sales@cymannu.com WWW.CYMANNU.COM