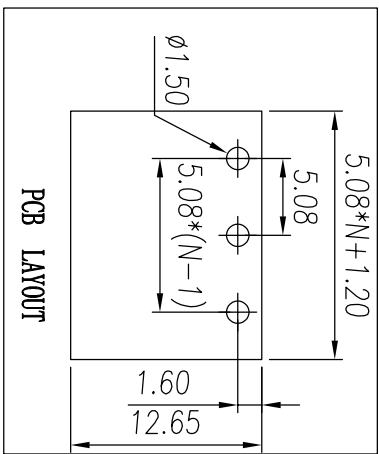
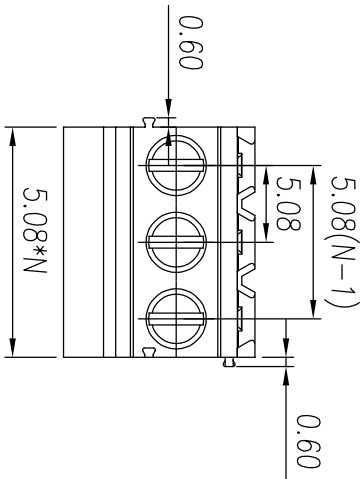
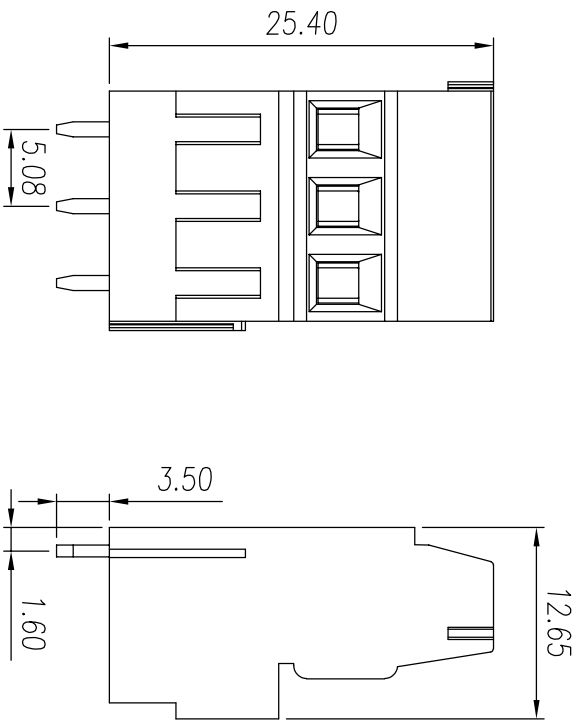
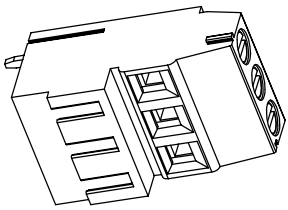


REV	ECN	SIGN	DATE	DESCRIPTION
1.0	V0	K. ZHAO	04/23/2021	



NOTES:

1. UL Standard

Application	B	C	D
Rate voltage(V)	300	/	300
Rate current(A)	16	/	10
Rate impulse voltage(KV)	1.6		

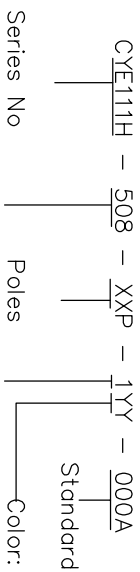
Wire range : 26 ~ 12 AWG

2. IEC Standard

Pollution degree	2	2	3
Overvoltage category	II	III	III
Rate impulse voltage(KV)	4	4	4
Rate voltage(V)	320	250	250
Rate current(A)	18		

Wire range : 0.2 ~ 2.5 mm²

3. Torque: 0.5 N.m(4.43 Lb.in)
4. Pitch : 5.08 mm, Poles : N=02/03 P
5. Stripping length : 7 ~ 8 mm
6. Operating temperature: -40°C~+105°C
7. RoHS Compliance
8. Material: Housing PA66, UL94V-0
Screws M3 Steel, Cr plated
Pin copper alloy, Sn plated



Pitch Single Pitch

- Color: 1Y, white
2Y, black
3Y, grey
4Y, green
5Y, blue
6Y, yellow
7Y, transparent
8Y, brown

Remark: This drawing is a controlled document for Cymannu. All specifications are subject to change without prior notice.

Linear dimension	≡	□	∥	⊥
over 18 to 30	over 30 to 50	over 50 to 80	over 80 to 120	over 120 to 160
over 30 to 50	over 50 to 80	over 80 to 120	over 120 to 160	over 160 to 200
all	5 to 30	30 to 120	120 to 180	180 to 300
0.5	0.025	0.06	0.12	0.4

SIZE	SCALE	CHECKED	DATE	PART NO.
A4	2 : 1	C. LU	04/23/2021	CYE111H-508-XXP-1YY-000A
UNIT: mm	SHEET	APPROVED	DATE	CUSTOMER
1 / 1	1 / 1	H. JIANG	04/23/2021	Fixed connector

Cymannu 囍字电子
NINGBO CHANGYU ELECTRONICS MANUFACTURING CO., LTD
Email: sales@cymannu.com WWW.CYMANNU.COM