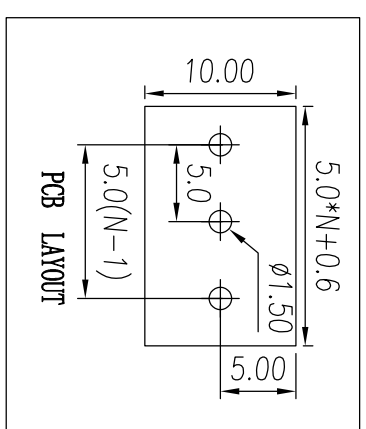
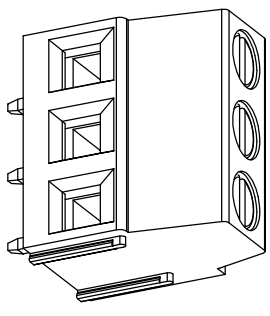


REV	ECN	SIGN	DATE	DESCRIPTION
1.0	V0	K. ZHAO	04/23/2021	



NOTES:

1. UL Standard

Application	B	C	D
Rate voltage(V)	300	/	300
Rate current(A)	16	/	10
Rate impulse voltage(KV)	1.6		

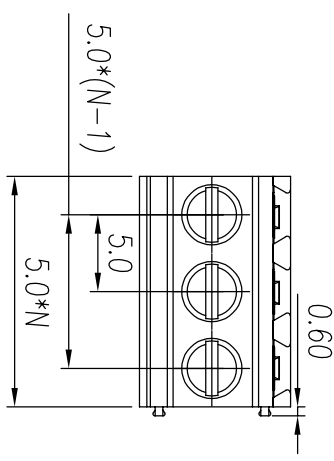
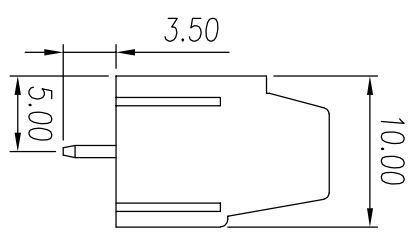
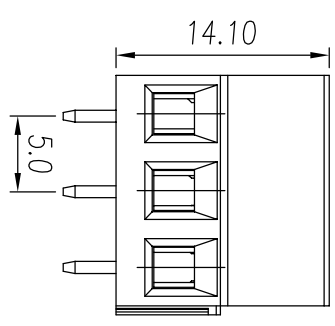
Wire range : 26 ~ 12 AWG

2. IEC Standard

Pollution degree	2	2	3
Overvoltage category	II	III	III
Rate impulse voltage(KV)	4	4	4
Rate voltage(V)	320	250	250
Rate current(A)	18		

Wire range : 0.2 ~ 2.5 mm²

3. Torque: 0.5 N.m(4.43 Lb.in)
4. Pitch : 5.08 mm, Poles : N=02/03 P
5. Stripping length : 7 ~ 8 mm
6. Operating temperature: -40°C~+105°C
7. RoHS Compliance
8. Material: Housing PA66, UL94V-0
Screws M3 Steel, Cr plated
Pin copper alloy, Sn plated



linear dimension	≡	□	∥	⊥
over 18 to 30	over 30 to 50	over 50 to 80	over 80 to 120	over 120 to 160
over 160 to 200	all	to 5	to 30	to 120
tolerance ±0.15	±0.25	±0.35	±0.45	±0.60
	±0.75	±0.90	0.5	0.025
	0.06	0.12	0.4	

Remark: This drawing is a controlled document for Cymannu. All specifications are subject to change without prior notice.

SIZE: A4	SCALE: 2:1	CHECKED: C. LU	APPROVED: H. JIANG
UNIT: mm	SHEET: 1/1	DATE: 04/23/2021	DATE: 04/23/2021

DRAMAN: K. ZHAO	DATE: 04/23/2021	PART NO.: CYE111-500-XXP-1YY-000A
TITLE: Fixed connector	DATE: 04/23/2021	CUSTOMER:

Cymannu 矽宇電子

NINGBO CHANGYU ELECTRONICS MANUFACTURING CO., LTD

Email: sales@cymannu.com WWW.CYMANNU.COM

