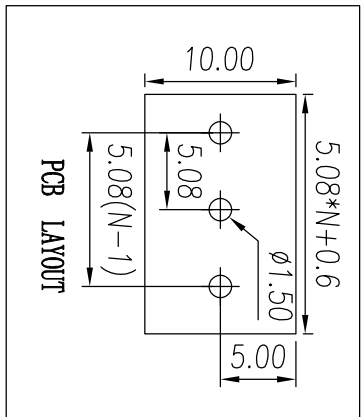
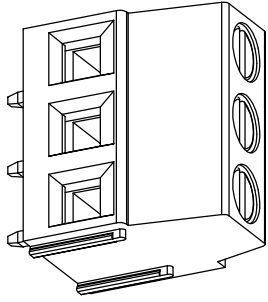


| REV | ECN | SIGN | DATE | DESCRIPTION |
|-----|-----|---------|------------|-------------|
| 1.0 | V0 | K. ZHAO | 04/23/2021 | |



NOTES:

1. UL Standard

| Application | B | C | D |
|--------------------------|-----|---|-----|
| Rate voltage(V) | 300 | / | 300 |
| Rate current(A) | 16 | / | 10 |
| Rate impulse voltage(KV) | 1.6 | | |

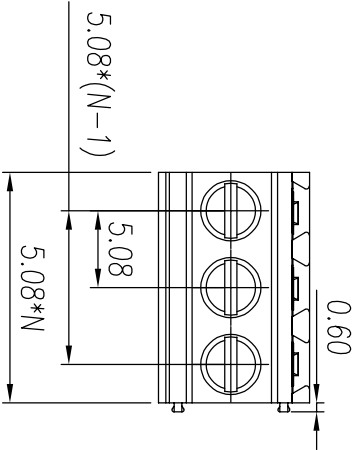
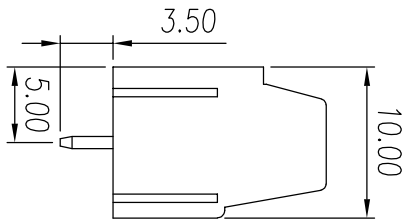
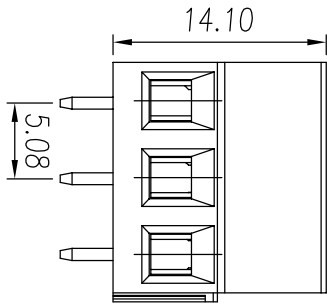
Wire range : 26 ~ 12 AWG

2. IEC Standard

| Pollution degree | 2 | 2 | 3 |
|--------------------------|-----|-----|-----|
| Overvoltage category | II | III | III |
| Rate impulse voltage(KV) | 4 | 4 | 4 |
| Rate voltage(V) | 320 | 250 | 250 |
| Rate current(A) | 18 | | |

Wire range : 0.2 ~ 2.5 mm²

3. Torque: 0.5 N.m(4.43 Lb.in)
4. Pitch : 5.08 mm, Poles : N=02/03 P
5. Stripping length : 7 ~ 8 mm
6. Operating temperature: -40°C~+105°C
7. RoHS Compliance
8. Material: Housing PA66, UL94V-0
Screws M3 Steel, Cr plated
Pin copper alloy, Sn plated



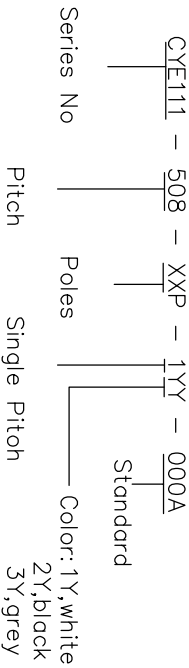
| linear dimension | ≡ | □ | ∥ | ⊥ |
|------------------|---------------|---------------|----------------|-----------------|
| over 18 to 30 | over 30 to 50 | over 50 to 80 | over 80 to 120 | over 120 to 160 |
| over 160 to 200 | all | to 5 | to 30 | to 120 |
| tolerance ±0.15 | ±0.25 | ±0.35 | ±0.45 | ±0.60 |
| | ±0.75 | ±0.90 | 0.5 | 0.025 |
| | 0.06 | 0.12 | 0.4 | |

Remark: This drawing is a controlled document for Cymannu. All specifications are subject to change without prior notice.

| SIZE | SCALE | CHECKED | DATE | PART NO. |
|----------|-------|----------|------------|-------------------------|
| A4 | 2 : 1 | K. ZHAO | 04/23/2021 | CYE111-508-XXP-1YY-000A |
| UNTT. mm | SHEET | APPROVED | DATE | CUSTOMER |
| 1 / 1 | 1 / 1 | H. JIANG | 04/23/2021 | Fixed connector |

Cymannu 囍字电子

NINGBO CHANGYU ELECTRONICS MANUFACTURING CO., LTD
Email: sales@cymannu.com WWW.CYMANNU.COM



- Color: 1Y, white
2Y, black
3Y, grey
4Y, green
5Y, blue
6Y, yellow
7Y, transparent
8Y, brown