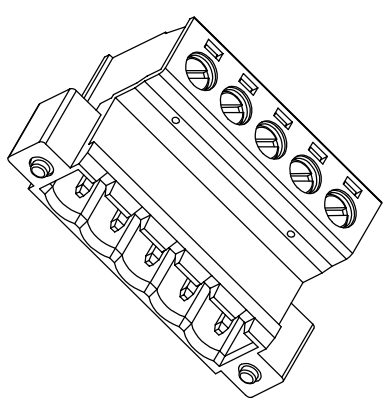


REV	ECN	SIGN	DATE	DESCRIPTION
1.0	V0	K. ZHAO	06/12/2021	



NOTES:  
1. UL Standard

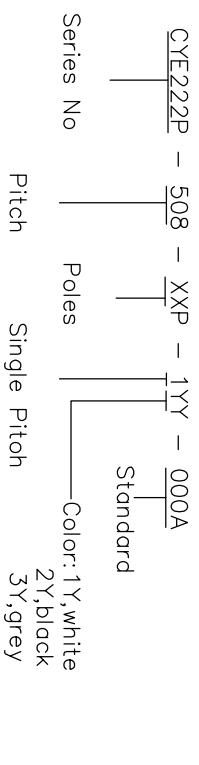
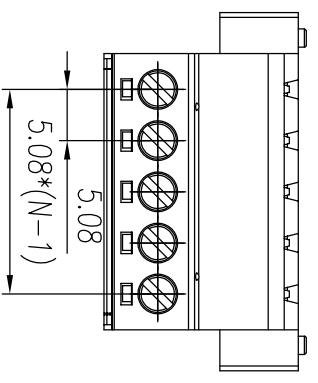
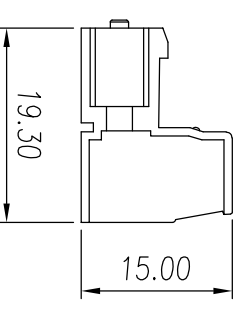
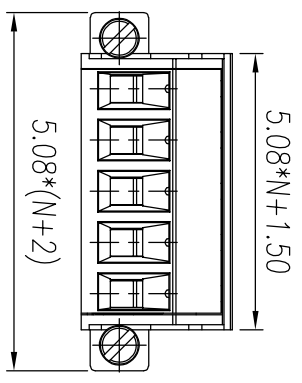
Application	B	C	D
Rate voltage(V)	300	/	300
Rate current(A)	12	/	10
Rate impulse voltage(KV)	1.6		

Wire range : 26 ~ 12 AWG

2. IEC Standard

Pollution degree	2	2	3
Overvoltage category	II	III	III
Rate impulse voltage(KV)	4	4	4
Rate voltage(V)	320	320	250
Rate current(A)	15		

- Wire range : 0.2 ~ 2.5 mm<sup>2</sup>
- 3. Torque: 0.5 N.m (4.43 Lb.in)
- 4. Pitch : 5.08 mm, Poles : N = 02 ~ 24P
- 5. Stripping length : 7 ~ 8 mm
- 6. Operating temperature: -40°C ~ +105°C
- 7. RoHS Compliance
- 8. Material: Housing PA66, UL94V-0
- Screws M3 Steel, Cr plated
- Clamp copper alloy, Sn plated
- Cage copper alloy, Ni plated



linear dimension												
tolerance	±0.15	±0.25	±0.35	±0.45	±0.60	±0.75	±0.90	0.5	0.025	0.06	0.12	0.4

variable range	over 10 to 18	over 18 to 30	over 30 to 50	over 50 to 80	over 80 to 120	over 120 to 160	over 160 to 200	all 5 to 5	over 5 to 30	over 30 to 120	over 120 to 120
----------------	---------------	---------------	---------------	---------------	----------------	-----------------	-----------------	------------	--------------	----------------	-----------------

Remark: This drawing is a controlled document for Cymannu. All specifications are subject to change without prior notice.

SIZE: A4	SCALE: 4:3	CHECKED: C. LU	APPROVED: H. JIANG
UNIT: mm	SHEET: 1/1	DATE: 06/12/2021	DATE: 06/12/2021

PART NO: CYE222P-508-XXP-1YY-000A	TITLE: Plug in connector
DATE: 06/12/2021	CUSTOMER:

**Cymannu** 囍字电子

NINGBO CHANGYU ELECTRONICS MANUFACTURING CO., LTD

Email: sales@cymannu.com WWW.CYMANNU.COM