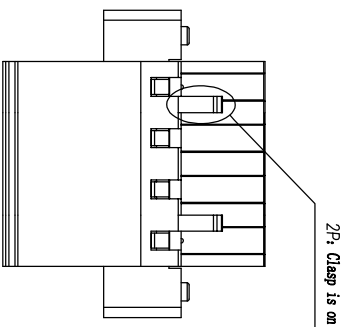
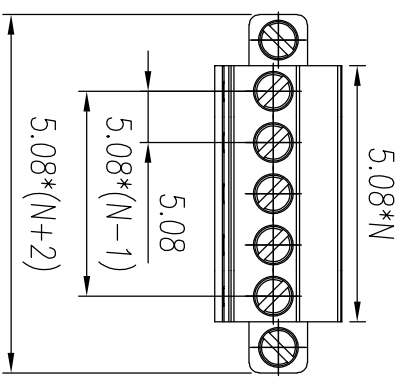
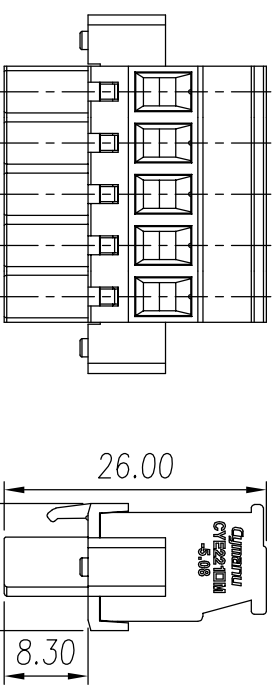
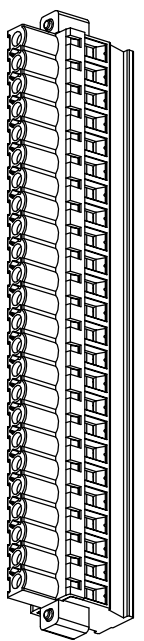


REV	ECN	SIGN	DATE	DESCRIPTION
1.0	V0	K. ZHAO	05/21/2021	



NOTES:
1. UL Standard

Application	B	C	D
Rate voltage(V)	300	/	300
Rate current(A)	10	/	10
Rate impulse voltage(KV)	1.6		

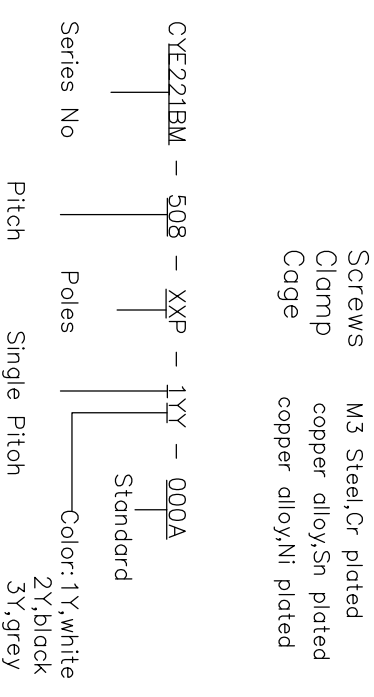
Wire range : 26 ~ 12 AWG

2. IEC Standard

Pollution degree	2	2	3
Overvoltage category	II	III	III
Rate impulse voltage(KV)	4	4	4
Rate voltage(V)	320	320	250
Rate current(A)	12		

Wire range : 0.2 ~ 2.5 mm²

- Torque: 0.5 N.m (4.43 Lb.in)
- Pitch : 5.08 mm, Poles : N = 02 ~ 24 P
- Stripping length : 7 ~ 8 mm
- Operating temperature: -40°C ~ +105°C
- RoHS Compliance
- Material: Housing PA66, UL94V-0
- Screws M3 Steel, Cr plated
- Clamp copper alloy, Sn plated
- Cage copper alloy, Ni plated



- Color: 1Y, white
2Y, black
3Y, grey
4Y, green
5Y, blue
6Y, yellow
7Y, transparent
8Y, brown

Remark: This drawing is a controlled document for Cymannu. All specifications are subject to change without prior notice.

	linear dimension												≡	—	□	//	⊥
variable range	to 10	over 18 to 30	over 30 to 50	over 50 to 80	over 80 to 120	over 120 to 160	over 160 to 200	all	to 5	over 5 to 30	over 30 to 120	over 120 to					
tolerance	±0.15	±0.25	±0.35	±0.45	±0.60	±0.75	±0.90	0.5	0.025	0.06	0.12	0.4					

SIZE: A4	SCALE: 4 : 3	DRAWN: K. ZHAO	DATE: 05/21/2021	PART NO: CYE221BM-508-XXP-1YY-000A
UNIT: mm	SHEET: 1 / 1	CHECKED: C. LU	DATE: 05/21/2021	TITLE: Plug in connector
		APPROVED: H. JIANG	DATE: 05/21/2021	CUSTOMER:

Cymannu 囍字電子
NINGBO CHANGYU ELECTRONICS MANUFACTURING CO., LTD
Email: sales@cymannu.com WWW.CYMANNU.COM