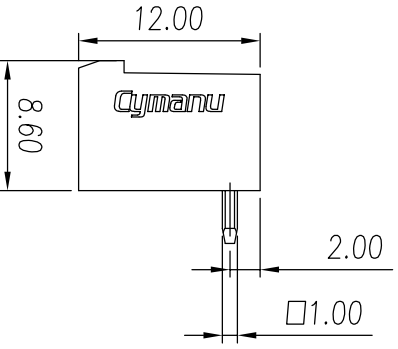
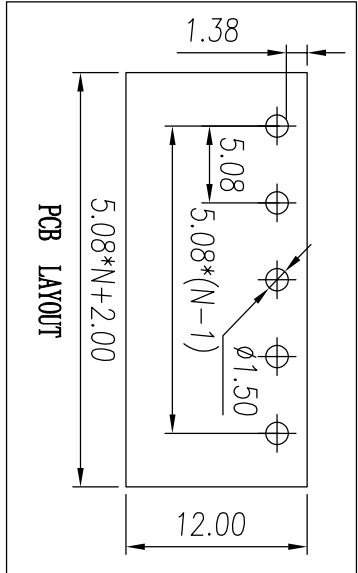
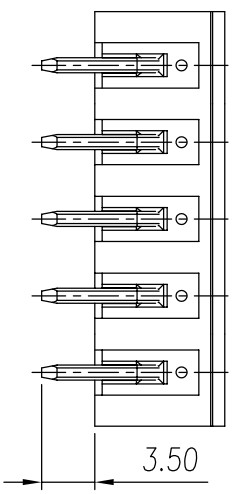
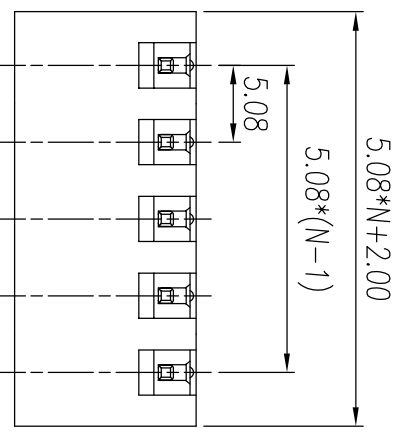
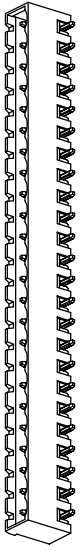


REV	ECN	SIGN	DATE	DESCRIPTION
1.0	V0	K. ZHAO	05/21/2021	



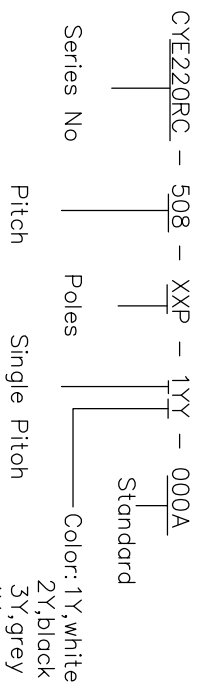
NOTES:
1. UL Standard

Application	B	C	D
Rate voltage(V)	300	/	300
Rate current(A)	15	/	10
Rate impulse voltage(KV)	1.6		

2. IEC Standard

Pollution degree	2	2	3
Overvoltage category	II	III	III
Rate impulse voltage(KV)	4	4	4
Rate voltage(V)	320	320	250
Rate current(A)	15		

- Pitch : 5.08 mm
- Operating temperature: -40°C~+105°C
- RoHS Compliance
- Material: Housing PA66,UL94V-0
Pin copper alloy,Sn plated



Remark: This drawing is a controlled document for Cymanu. All specifications are subject to change without prior notice.

Linear dimension		≡	—	□	//	⊥
over	over	over	over	over	over	over
18 to	30 to	50 to	80 to	120 to	160 to	200 to
to 10	to 30	to 50	to 80	to 120	to 160	to 200
tolerance	±0.15	±0.25	±0.35	±0.45	±0.60	±0.75
	0.5	0.025	0.06	0.12	0.4	

SIZE: A4	SCALE: 2:1	CHECKED: C. LU	DATE: 05/21/2021
UNIT: mm	SHEET: 1/1	APPROVED: H. JIANG	DATE: 05/21/2021

NINGBO CHANGTU ELECTRONICS MANUFACTURING CO., LTD
 Email: sales@cymanu.com WWW.CYMANU.COM