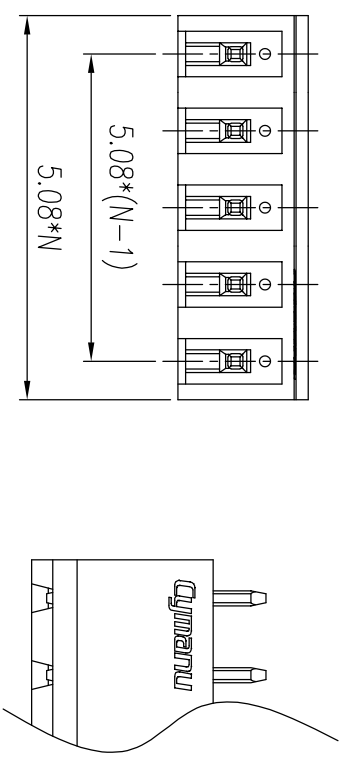
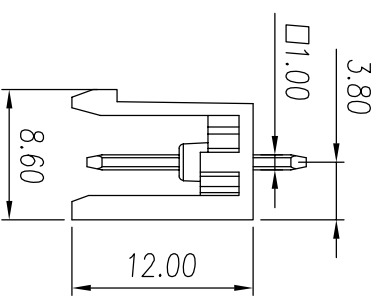
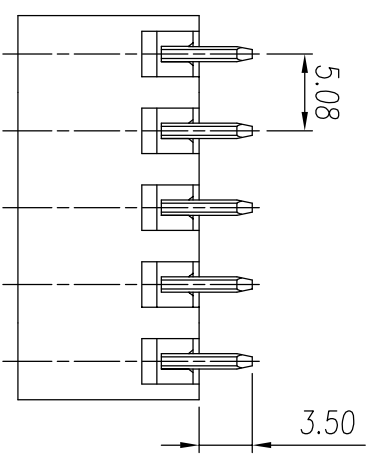
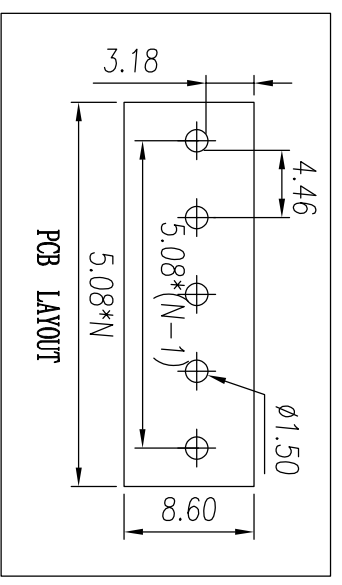
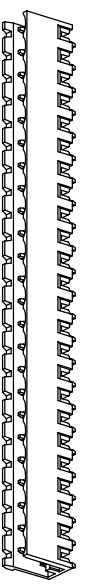


REV	ECN	SIGN	DATE	DESCRIPTION
1.0	V0	K. ZHAO	05/23/2021	



	linear dimension										≡	—	□	//	⊥	
variable range	to 10	over 18 to 30	over 30 to 50	over 50 to 80	over 80 to 120	over 120 to 160	over 160 to 200	all	to 5	over 5 to 30	over 30 to 120	0.5	0.025	0.06	0.12	0.4
tolerance	±0.15	±0.25	±0.35	±0.45	±0.60	±0.75	±0.90									

NOTES:

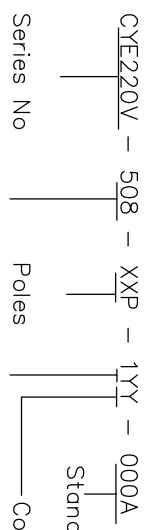
1. UL Standard

Application	B	C	D
Rate voltage(V)	300	/	300
Rate current(A)	15	/	10
Rate impulse voltage(KV)	1.6		

2. IEC Standard

Pollution degree	2	2	3
Overvoltage category	II	III	III
Rate impulse voltage(KV)	4	4	4
Rate voltage(V)	320	320	250
Rate current(A)	15		

- 3. Pitch : 5.08 mm
- 4. Operating temperature: -40°C~+105°C
- 5. RoHS Compliance
- 6. Material: Housing PA66,UL94V-0
Pin copper alloy,Sn plated



Series No Poles Pitch Single Pitch

- Color: 1Y, white
2Y, black
3Y, grey
4Y, green
5Y, blue
6Y, yellow
7Y, transparent
8Y, brown

Remark: This drawing is a controlled document for Cymannu. All specifications are subject to change without prior notice.

SIZE: A4	SCALE: 2:1	DRAWN: K. ZHAO	CHECKED: C. LU	APPROVED: H. JIANG	DATE: 05/23/2021	DATE: 05/23/2021	DATE: 05/23/2021
UNIT: mm	SHEET: 1/1	PART NO: CYE220V-508-XXP-1YY-000A		TITLE: Plug in connector			
CUSTOMER:							

Cymannu 囍字電子

NINGBO CHANGYU ELECTRONICS MANUFACTURING CO., LTD

Email: sales@cymannu.com WWW.CYMANNU.COM