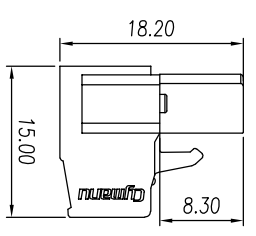
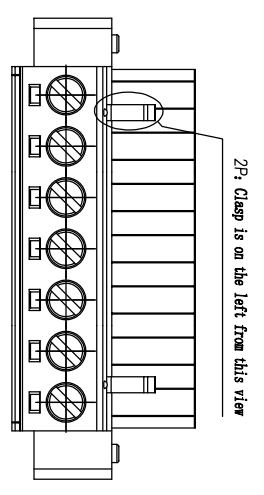
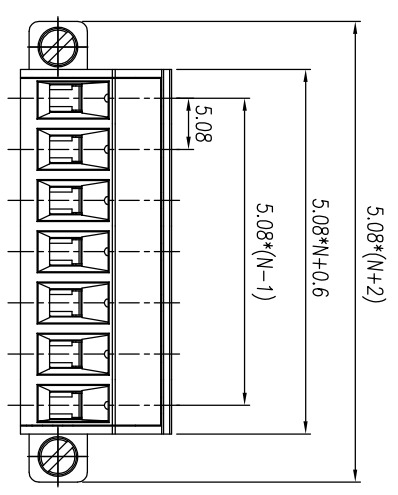
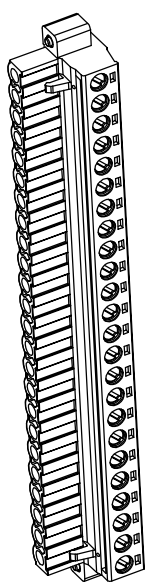


| REV | ECN | SIGN    | DATE       | DESCRIPTION |
|-----|-----|---------|------------|-------------|
| 1.0 | V0  | K. ZHAO | 05/21/2021 |             |



NOTES:  
1. UL Standard

| Application              | B   | C | D   |
|--------------------------|-----|---|-----|
| Rate voltage(V)          | 300 | / | 300 |
| Rate current(A)          | 15  | / | 10  |
| Rate impulse voltage(KV) | 1.6 |   |     |

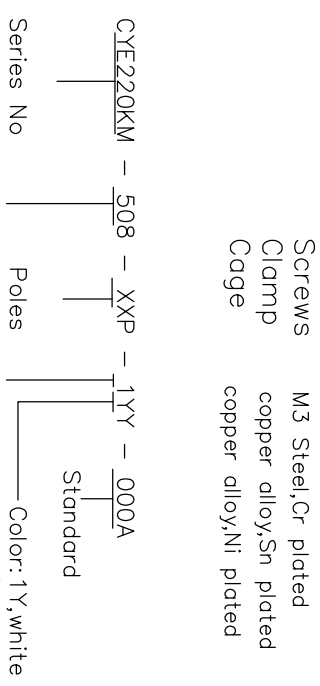
Wire range : 26 ~ 12 AWG

2. IEC Standard

| Pollution degree         | 2   | 2   | 3   |
|--------------------------|-----|-----|-----|
| Overvoltage category     | II  | III | III |
| Rate impulse voltage(KV) | 4   | 4   | 4   |
| Rate voltage(V)          | 320 | 320 | 250 |
| Rate current(A)          | 15  |     |     |

Wire range : 0.2 ~ 2.5 mm<sup>2</sup>

- Torque: 0.5N.m(4.43 Lb.in)
- Pitch : 5.08 mm, Poles : N = 02 ~ 24P
- Stripping length : 7 ~ 8 mm
- Operating temperature: -40°C ~ +105°C
- RoHS Compliance
- Material: Housing PA66,UL94V-0
- Screws M3 Steel,Cr plated
- Clamp copper alloy,Sn plated
- Cage copper alloy,Ni plated



Pitch Single Pitch

- Color: 1Y,white  
2Y,black  
3Y,grey  
4Y,green  
5Y,blue  
6Y,yellow  
7Y,transparent  
8Y,brown

Remark: This drawing is a controlled document for Cymannu. All specifications are subject to change without prior notice.

|                |                  |               |               |               |                |                 |                 |          |              |                |             |     |   |    |   |  |
|----------------|------------------|---------------|---------------|---------------|----------------|-----------------|-----------------|----------|--------------|----------------|-------------|-----|---|----|---|--|
|                | linear dimension |               |               |               |                |                 |                 |          |              |                | ≡           | —   | □ | // | ⊥ |  |
| variable range | to 10            | over 18 to 30 | over 30 to 50 | over 50 to 80 | over 80 to 120 | over 120 to 160 | over 160 to 200 | all to 5 | over 5 to 30 | over 30 to 120 | over 120 to |     |   |    |   |  |
| tolerance      | ±0.15            | ±0.25         | ±0.35         | ±0.45         | ±0.60          | ±0.75           | ±0.90           | 0.5      | 0.025        | 0.06           | 0.12        | 0.4 |   |    |   |  |

|          |              |                    |                  |                                    |
|----------|--------------|--------------------|------------------|------------------------------------|
| SIZE: A4 | SCALE: 4 : 3 | DRAWN: K. ZHAO     | DATE: 05/21/2021 | PART NO: CYE220KM-508-XXP-1YY-000A |
| UNIT: mm | SHEET: 1 / 1 | CHECKED: C. LU     | DATE: 05/21/2021 | TITLE: Plug in connector           |
|          |              | APPROVED: H. JIANG | DATE: 05/21/2021 | CUSTOMER:                          |

**Cymannu** 囍字電子  
NINGBO CHANGTU ELECTRONICS MANUFACTURING CO., LTD  
Email: sales@cymannu.com WWW.CYMANNU.COM