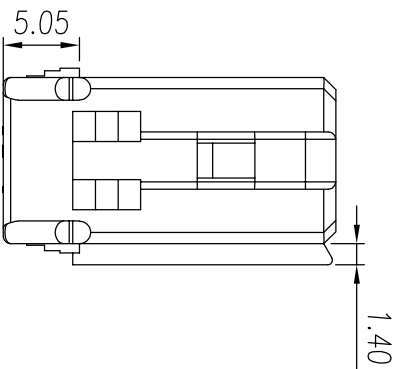
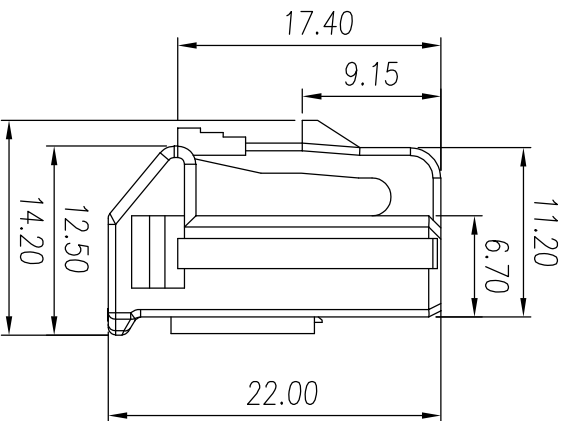
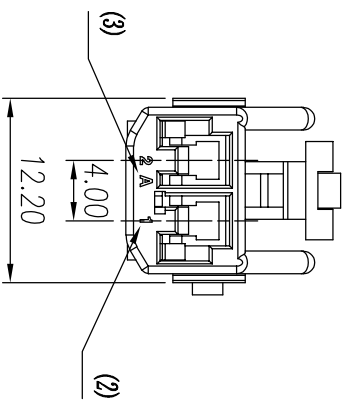
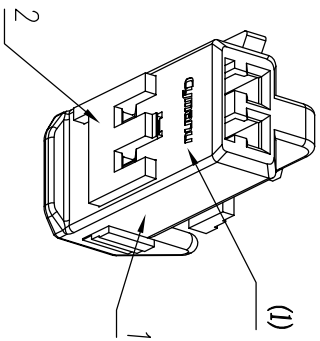


REV	ECN	SIGN	DATE	DESCRIPTION
1.0	V0	K. ZHAO	11/30/2021	



NOTES:

- 1.Pitch : 4.0 mm, Poles : N= 02 P
- 2.Operating temperature: -40°C~+105°C
- 3.RoHS Compliance
- 4.Material: Housing 1 PA66,UL94V-0
Housing 2 PA66,UL94V-0

- (1)Company Logo
- (2)Cavity-Marking
- (3)Mold Cavity-Marking

63000302YY10B
Standard

Series No
Color: 1Y, white
2Y, black
3Y, grey
4Y, green
5Y, blue
6Y, yellow
7Y, transparent
8Y, brown

Remark: This drawing is a controlled document for Cymann. All specifications are subject to change without prior notice.

variable range	linear dimension										≡	□	//	⊥		
	over 10 to ±0.15	over 18 to ±0.25	over 30 to ±0.35	over 50 to ±0.45	over 80 to ±0.60	over 120 to ±0.75	over 160 to ±0.90	over 200 to ±0.90	all 5 to 0.025	over 5 to 0.06					over 30 to 0.12	over 120 to 0.4
tolerance	±0.15	±0.25	±0.35	±0.45	±0.60	±0.75	±0.90	±0.90	0.5	0.025	0.06	0.12	0.4			

	DRAWN: K. ZHAO CHECKED: C. LU APPROVED: H. JIANG	DATE: 11/30/2021 DATE: 11/30/2021 DATE: 11/30/2021	PART NO.: 63000302YY10B TITLE: Connector sheath CUSTOMER:
SIZE: A4 SCALE: 2 : 1 SHEET: 1 / 1 UNIT: mm			Cymann 囍字電子 NINGBO CHANGTU ELECTRONICS MANUFACTURING CO., LTD Email: sales@cymann.com WWW.CYMANNU.COM