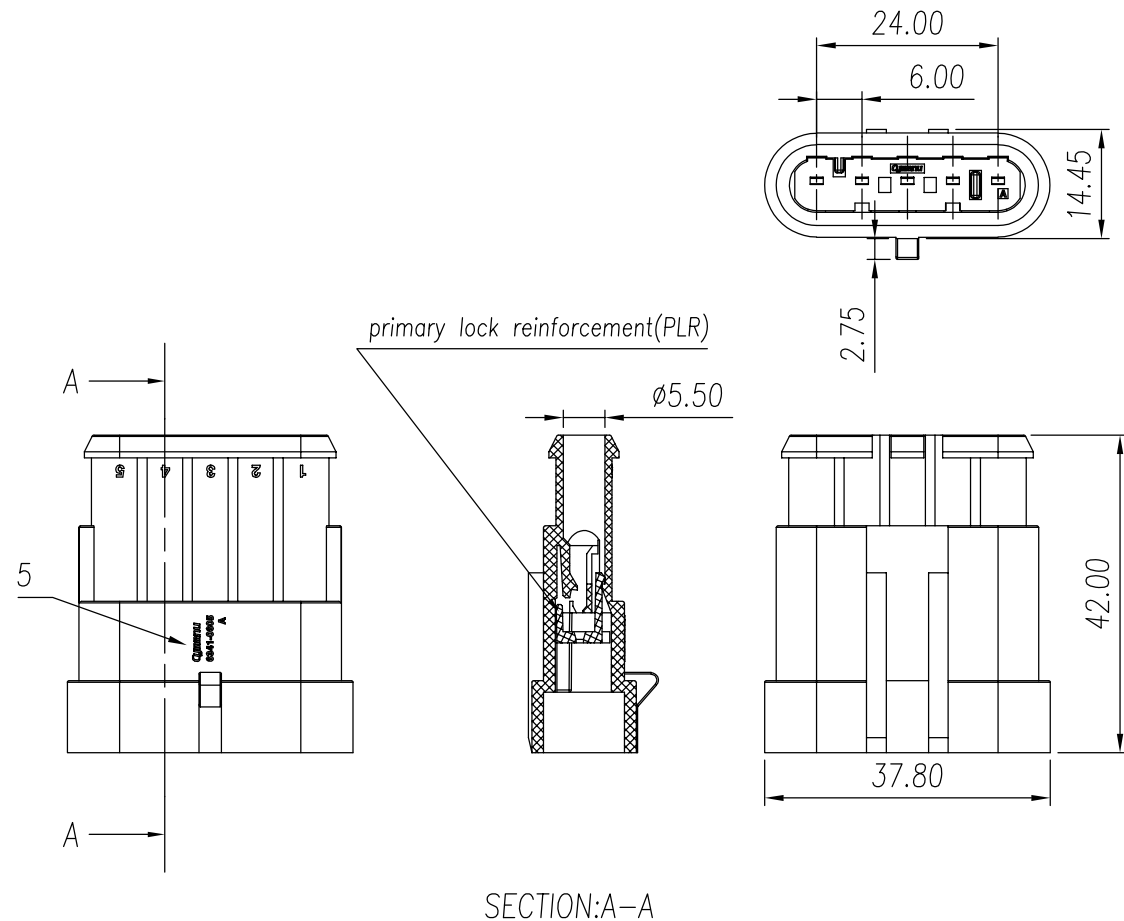


REV	ECN	SIGN	DATE	DESCRIPTION
1.0	V0	K. ZHAO	09/06/2022	



NOTES:

1. Poles : N= 05 P
 2. Operating temperature: -40°C~+125°C
 3. RoHS Compliance
 4. Material:
 - Housing Halogen free PA66-GF,UL94V-0
 - PLR Halogen free PA66-GF,UL94V-0
 5. Company Logo
- 63410605YY10B _____ Standard
- Series No _____
 Color: 1Y,white
 2Y,black
 3Y,gre
 4Y,green
 5Y,blue
 6Y,yellow
 7Y,transparent
 8Y,brown

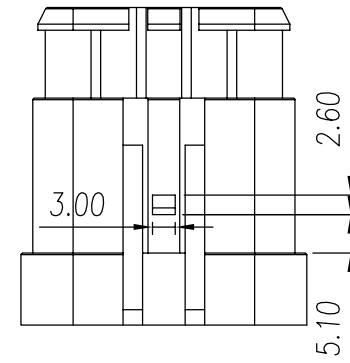
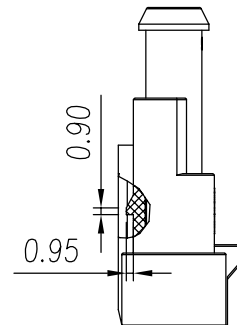
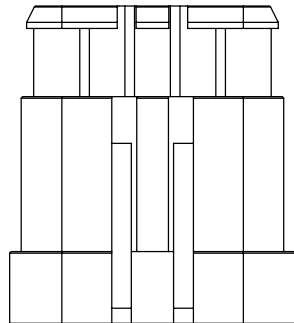
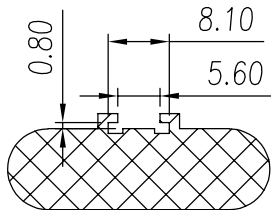
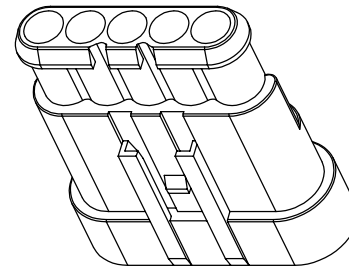
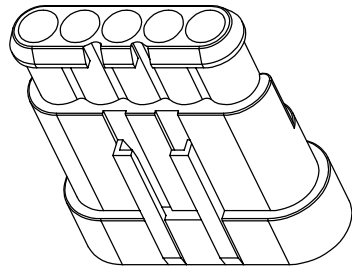
		linear dimension							≡	-	□	//	⊥
variable range	to 10	over 18 to 30	over 30 to 50	over 50 to 80	over 80 to 120	over 120 to 160	over 160 to 200	all	to 5	over 5 to 30	over 30 to 120	over 120 to	
tolerance	±0.15	±0.25	±0.35	±0.45	±0.60	±0.75	±0.90	0.5	0.025	0.06	0.12	0.4	

Remark: This drawing is a controlled document for Cymanu. All specifications are subject to change without prior notice.

	DRAWN:	K. ZHAO	DATE:	09/06/2022	PART NO:	63410605YY10B
	CHECKED:	C. LU	DATE:	09/06/2022	TITLE:	Connector sheath
	APPROVED:	H. JIANG	DATE:	09/06/2022	CUSTOMER:	

NINGBO CHANGYU ELECTRONICS MANUFACTURING CO., LTD
 Email: sales@cymanu.com WWW.CYMANU.COM

REV	ECN	SIGN	DATE	DESCRIPTION
1.0	V0	K. ZHAO	09/06/2022	



63410605YY11B

63410605YY12B

		linear dimension							≡	—	□	//	⊥
variable range	to 10	over 18 to 30	over 30 to 50	over 50 to 80	over 80 to 120	over 120 to 160	over 160 to 200	all	to 5	over 5 to 30	over 30 to 120	over 120 to	
tolerance	±0.15	±0.25	±0.35	±0.45	±0.60	±0.75	±0.90	0.5	0.025	0.06	0.12	0.4	

Remark: This drawing is a controlled document for Cymanu. All specifications are subject to change without prior notice.

 SIZE: A4 UNIT: mm	SCALE: 1 : 1 SHEET: 2 / 2	DRAWN: K. ZHAO CHECKED: C. LU APPROVED: H. JIANG	DATE: 09/06/2022 DATE: 09/06/2022 DATE: 09/06/2022	PART NO: 63410605YY10B TITLE: Connector sheath CUSTOMER:	 NINGBO CHANGYU ELECTRONICS MANUFACTURING CO., LTD Email: sales@cymanu.com WWW.CYMANU.COM