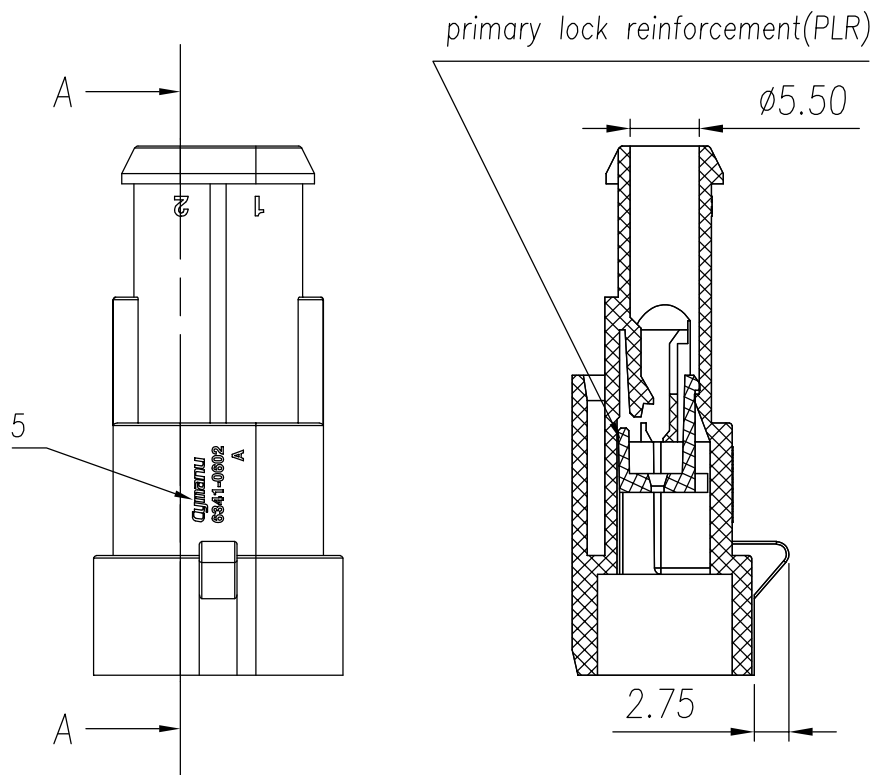
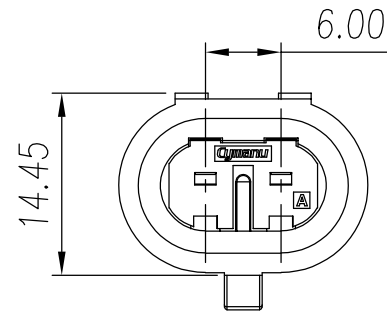


REV	ECN	SIGN	DATE	DESCRIPTION
1.0	V0	K. ZHAO	09/06/2022	



SECTION:A-A

NOTES:

- Poles : N= 02 P
- Operating temperature: $-40^{\circ}\text{C} \sim +125^{\circ}\text{C}$
- RoHS Compliance
- Material:

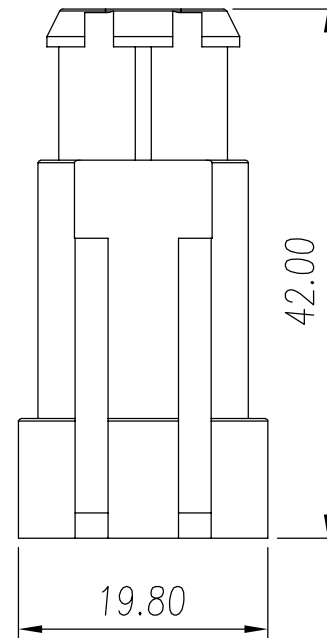
Housing Halogen free PA66-GF,UL94V-0
 PLR Halogen free PA66-GF,UL94V-0

5. Company Logo

63410602YY10B _____ Standard

Series No

- Color: 1Y,white
 2Y,black
 3Y,greyscale
 4Y,green
 5Y,blue
 6Y,yellow
 7Y,transparent
 8Y,brown



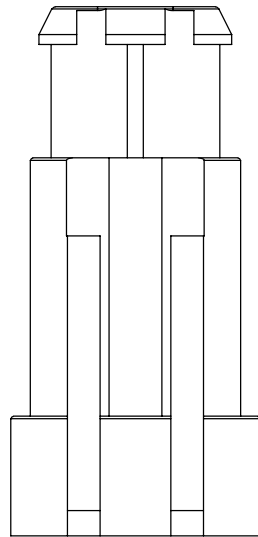
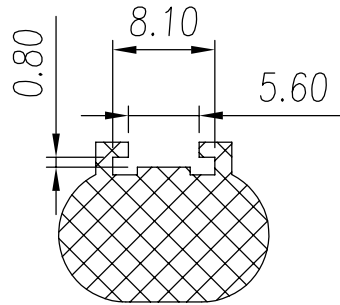
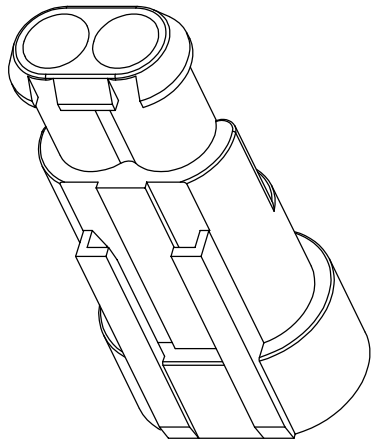
variable range	linear dimension							≡	—	□	//	⊥
	to 10	over 18 to 30	over 30 to 50	over 50 to 80	over 80 to 120	over 120 to 160	over 160 to 200	all	to 5	over 5 to 30	over 30 to 120	over 120 to 200
tolerance	±0.15	±0.25	±0.35	±0.45	±0.60	±0.75	±0.90	0.5	0.025	0.06	0.12	0.4

Remark: This drawing is a controlled document for Cymanu. All specifications are subject to change without prior notice.

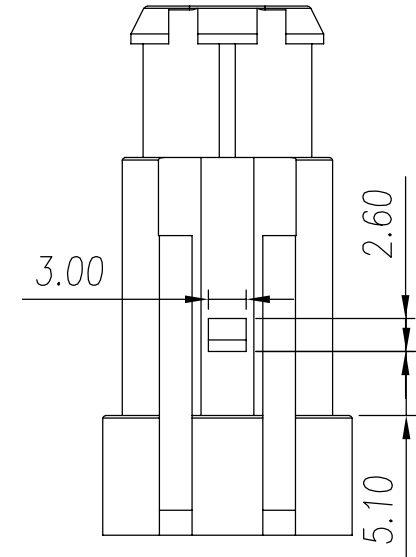
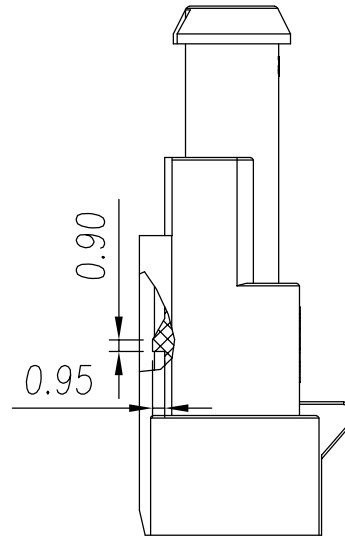
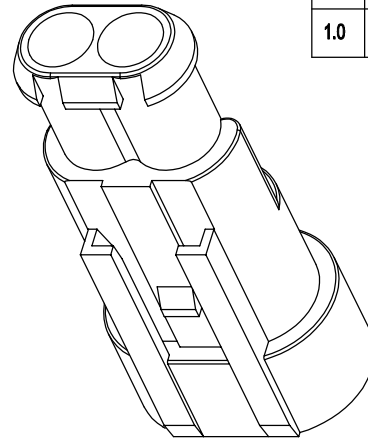
SIZE: A4	SCALE: 5 : 3	DRAWN: K. ZHAO	DATE: 09/06/2022	PART NO: 63410602YY10B
UNIT: mm	SHEET: 1 / 2	CHECKED: C. LU	DATE: 09/06/2022	TITLE: Connector sheath
		APPROVED: H. JIANG	DATE: 09/06/2022	CUSTOMER:

Cymanu 賜宇電子
 NINGBO CHANGYU ELECTRONICS MANUFACTURING CO., LTD
 Email: sales@cymanu.com WWW.CYMANU.COM

REV	ECN	SIGN	DATE	DESCRIPTION
1.0	V0	K. ZHAO	09/09/2022	



63410602YY11B



63410602YY12B

variable range	linear dimension							≡	—	□	//	⊥
	to 10	over 18 to 30	over 30 to 50	over 50 to 80	over 80 to 120	over 120 to 160	over 160 to 200					
tolerance	±0.15	±0.25	±0.35	±0.45	±0.60	±0.75	±0.90	0.5	0.025	0.06	0.12	0.4

Remark: This drawing is a controlled document for Cymanu. All specifications are subject to change without prior notice.

SIZE: A4	SCALE: 5 : 3	DRAWN: K. ZHAO	DATE: 09/06/2022	PART NO: 63410602YY10B
UNIT: mm	SHEET: 2 / 2	CHECKED: C. LU	DATE: 09/06/2022	TITLE: Connector sheath
		APPROVED: H. JIANG	DATE: 09/06/2022	CUSTOMER:

Cymanu 賜宇電子
 NINGBO CHANGYU ELECTRONICS MANUFACTURING CO., LTD
 Email: sales@cymanu.com WWW.CYMANU.COM