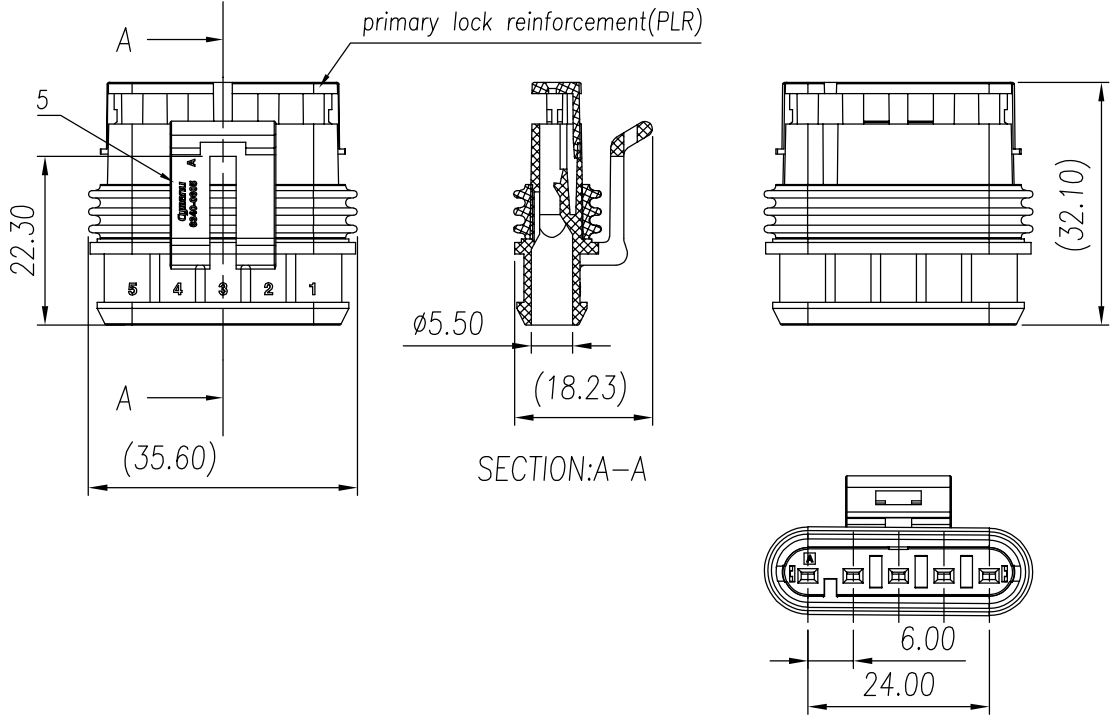


REV	ECN	SIGN	DATE	DESCRIPTION
1.0	V0	K. ZHAO	09/06/2022	



NOTES:

1. Poles : N= 05 P
2. Operating temperature: -40°C~+125°C
3. RoHS Compliance
4. Material:
  - Housing Halogen free PA66-GF,UL94V-0
  - PLR Halogen free PA66-GF,UL94V-0
  - Sealing Silica gel

5. Company Logo

63400605YY10B \_\_\_\_\_ Standard

Series No

- Color: 1Y, white  
 2Y, black  
 3Y, grey  
 4Y, green  
 5Y, blue  
 6Y, yellow  
 7Y, transparent  
 8Y, brown

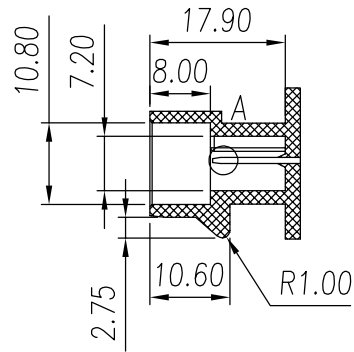
		linear dimension							≡	—	□	//	⊥
variable range	to 10	over 18 to 30	over 30 to 50	over 50 to 80	over 80 to 120	over 120 to 160	over 160 to 200	all	to 5	over 5 to 30	over 30 to 120	over 120 to	
tolerance	±0.15	±0.25	±0.35	±0.45	±0.60	±0.75	±0.90	0.5	0.025	0.06	0.12	0.4	

Remark: This drawing is a controlled document for Cymanu. All specifications are subject to change without prior notice.

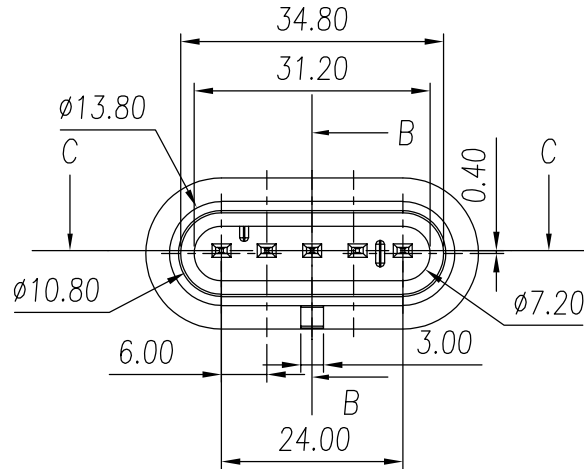
 SIZE: <b>A4</b> UNIT: mm	 SCALE: <b>1 : 1</b>	DRAWN: <b>K. ZHAO</b>	DATE: <b>09/06/2022</b>	PART NO: <b>63400605YY10B</b>	
	 CHECKED: <b>C. LU</b>	DATE: <b>09/06/2022</b>	<b>Cymanu</b> 賜宇電子 NINGBO CHANGYU ELECTRONICS MANUFACTURING CO., LTD Email: sales@cymanu.com WWW.CYMANU.COM		
	SHEET: <b>1 / 2</b>	APPROVED: <b>H. JIANG</b>	DATE: <b>09/06/2022</b>	TITLE: <b>Connector sheath</b> CUSTOMER:	

REV	ECN	SIGN	DATE	DESCRIPTION
1.0	V0	K. ZHAO	09/06/2022	

# COUNTERPART DETAILS

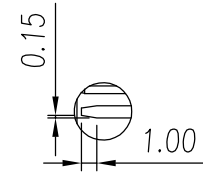


SECTION: B-B

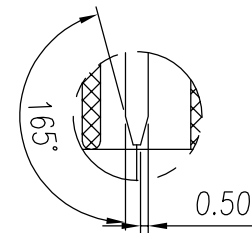


SECTION: C-C

DETAIL: A  
S=2:1



DETAIL: B  
S=2:1



NOTES:

1. Material:

Housing PA66-GF

Pin copper alloy, Sn plated

Remark: This drawing is a controlled document for Cymanu. All specifications are subject to change without prior notice.

		linear dimension							≡	-	□	//	⊥
variable range	to 10	over 18 to 30	over 30 to 50	over 50 to 80	over 80 to 120	over 120 to 160	over 160 to 200	all	to 5	over 5 to 30	over 30 to 120	over 120 to	
tolerance	±0.15	±0.25	±0.35	±0.45	±0.60	±0.75	±0.90	0.5	0.025	0.06	0.12	0.4	

 SIZE: A4 UNIT: mm	 SCALE: 1:1 SHEET: 2 / 2	DRAWN: K. ZHAO CHECKED: C. LU APPROVED: H. JIANG	DATE: 09/06/2022 DATE: 09/06/2022 DATE: 09/06/2022	PART NO: 63400605YY10B TITLE: Connector sheath CUSTOMER:	 NINGBO CHANGYU ELECTRONICS MANUFACTURING CO., LTD Email: sales@cymanu.com WWW.CYMANU.COM
--------------------------	--------------------------------	--	--	--	---