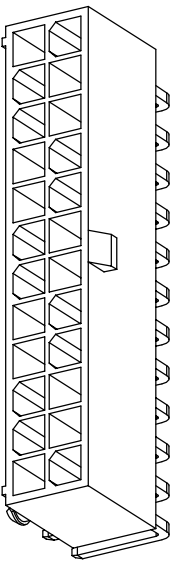
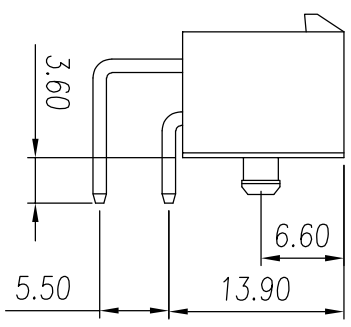
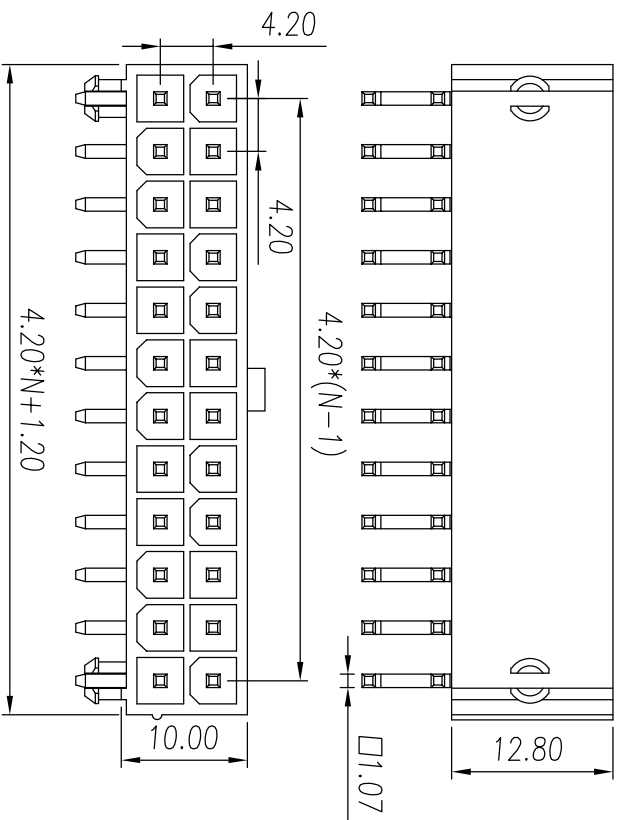
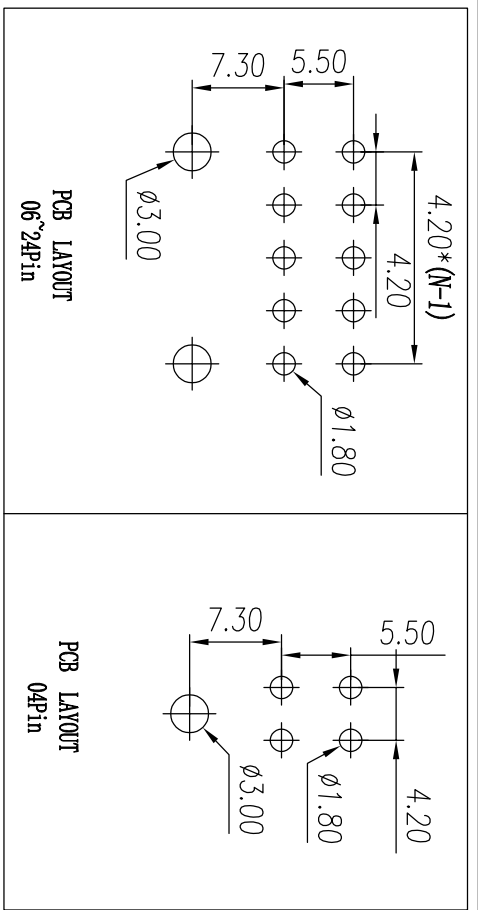


REV	ECN	SIGN	DATE	DESCRIPTION
1.0	V0	K. ZHAO	05/10/2022	



- NOTES:
1. Pitch : 4.2 mm, Poles : N=2\*02~2\*12 P
  2. Rate voltage(V): 600 ,Rate current(A):13
  3. Operating temperature: -40°C~+105°C
  4. The recommended maximum thickness of PCB is 1.78mm
  5. RoHS Compliance
  6. Material: Housing PA66, UL94V-0 Phosphor bronze, Sn plated Pin

431304XXHYY10C  
 Series No | CIRCUIT SIZE:04~24  
 Color: 1Y, white  
 2Y, black  
 3Y, grey  
 4Y, green  
 5Y, blue  
 6Y, yellow  
 7Y, transparent  
 8Y, brown

Remark: This drawing is a controlled document for Cymannu. All specifications are subject to change without prior notice.

		linear dimension											
tolerance	±0.15	±0.25	±0.35	±0.45	±0.60	±0.75	±0.90	0.5	0.025	0.06	0.12	0.4	
variable range	to 10	to 30	to 50	to 80	to 120	to 160	to 200	all	to 5	to 30	to 120	to	
over	18	30	50	80	120	160	200		5	30	120	over	

SIZE:	A4	SCALE:	5 : 3	CHECKED:	C. LU	DATE:	05/10/2022
UNIT: mm	1 / 1	SHEET:	1 / 1	APPROVED:	H. JIANG	DATE:	05/10/2022

NINGBO CHANGYU ELECTRONICS MANUFACTURING CO., LTD  
 Email: sales@cymannu.com WWW.CYMANNU.COM