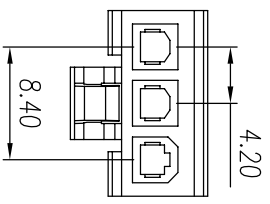
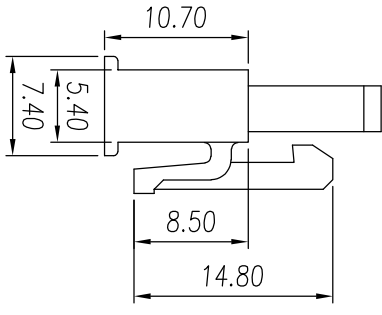
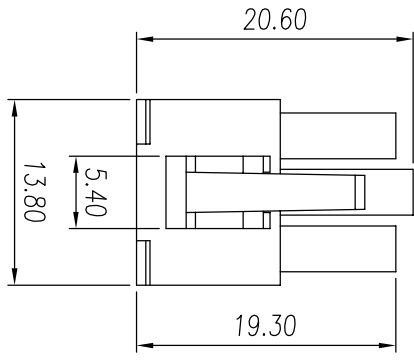
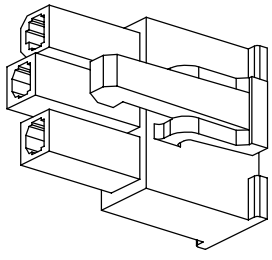


REV	ECN	SIGN	DATE	DESCRIPTION
1.0	V0	K. ZHAO	02/12/2021	



NOTES:

1. Pitch : 4.2 mm, Poles : N= 03 P
2. Operating temperature: -40°C~+105°C
3. RoHS Compliance
4. Material: Housing Halogen free PA66, UL94V-0

43100403YY10A
Standard

Series No

Color: 1Y, white

- 2Y, black
- 3Y, grey
- 4Y, green
- 5Y, blue
- 6Y, yellow
- 7Y, transparent
- 8Y, brown

linear dimension

tolerance	±0.15	±0.25	±0.35	±0.45	±0.60	±0.75	±0.90	0.5	0.025	0.06	0.12	0.4	
over	18	30	50	80	120	160	200	all	5	30	120	over	
to	10	30	50	80	120	160	200	5	30	120	over	120	
variable range	to	18	30	50	80	120	160	200	all	5	30	over	120
	10	30	50	80	120	160	200	0.5	0.025	0.06	0.12	0.4	

Remark: This drawing is a controlled document for Cymannu. All specifications are subject to change without prior notice.

SIZE: A4	SCALE: 4 : 3	CHECKED: C. LU	DATE: 02/12/2021	DRAWN: K. ZHAO	DATE: 02/12/2021	PART NO: 43100403YY10A
UNIT: mm	SHEET: 1 / 1	APPROVED: H. JIANG	DATE: 02/12/2021			TITLE: Connector sheath
						CUSTOMER:

Cymannu 囍字電子

NINGBO CHANGTU ELECTRONICS MANUFACTURING CO., LTD

Email: sales@cymannu.com WWW.CYMANNU.COM