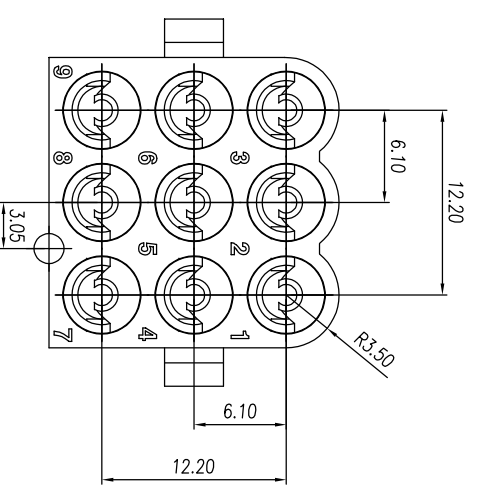
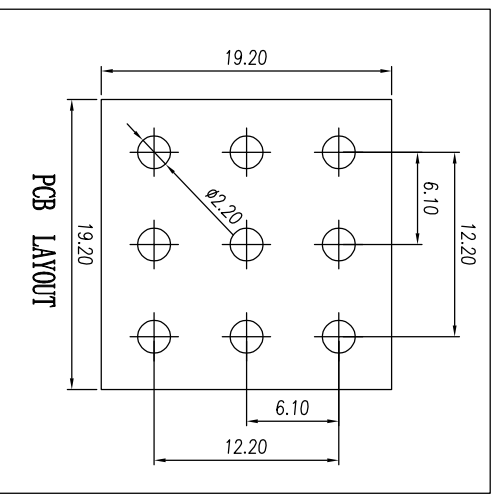
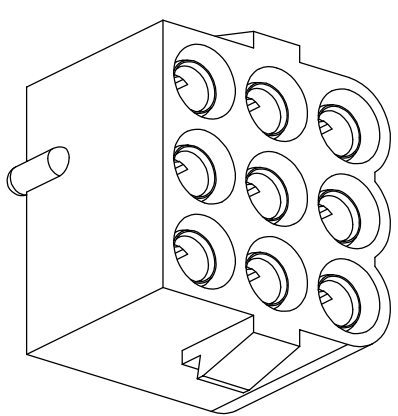


REV	ECN	SIGN	DATE	DESCRIPTION
1.0	V0	K. ZHAO	10/20/2021	

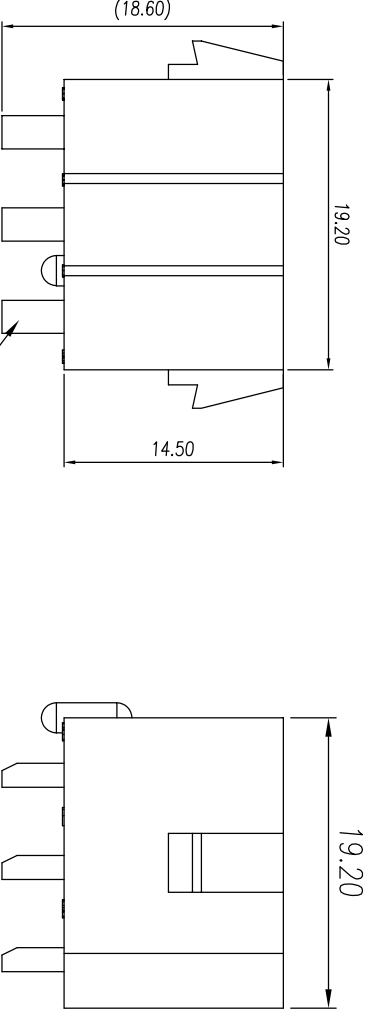


NOTES:

1. Pitch : 6.1 mm, Poles : $N = 3 \times 3$ P
2. Rate voltage(V): 250 ,Rate current(A):17
3. Operating temperature: $-40^{\circ}\text{C} \sim +105^{\circ}\text{C}$
4. RoHS Compliance
5. Material: Housing PA66,UL94V-0
Pin copper alloy,Sn plated

Series No 43000709HY10B Standard

Color: 1Y, white
2Y, black
3Y, grey
4Y, green
5Y, blue
6Y, yellow
7Y, transparent
8Y, brown



variable range	linear dimension											
	over 10 to 18	over 30 to 50	over 50 to 80	over 80 to 120	over 120 to 160	over 160 to 200	all 5 to 5	over 5 to 30	over 30 to 120	over 120 to 120		
tolerance	± 0.15	± 0.25	± 0.35	± 0.45	± 0.60	± 0.75	± 0.90	0.5	0.025	0.06	0.12	0.4

Remark: This drawing is a controlled document for Cymannu. All specifications are subject to change without prior notice.

SIZE: A4	SCALE: 2 : 1	CHECKED: C. LU	DATE: 10/20/2021	PART NO: 43000709HY10C
UNIT: mm	SHEET: 1 / 1	APPROVED: H. JIANG	DATE: 10/20/2021	TITLE: PCB connector

Cymannu 矽宇電子
NINGBO CHANGTU ELECTRONICS MANUFACTURING CO., LTD
Email: sales@cymannu.com WWW.CYMANNU.COM