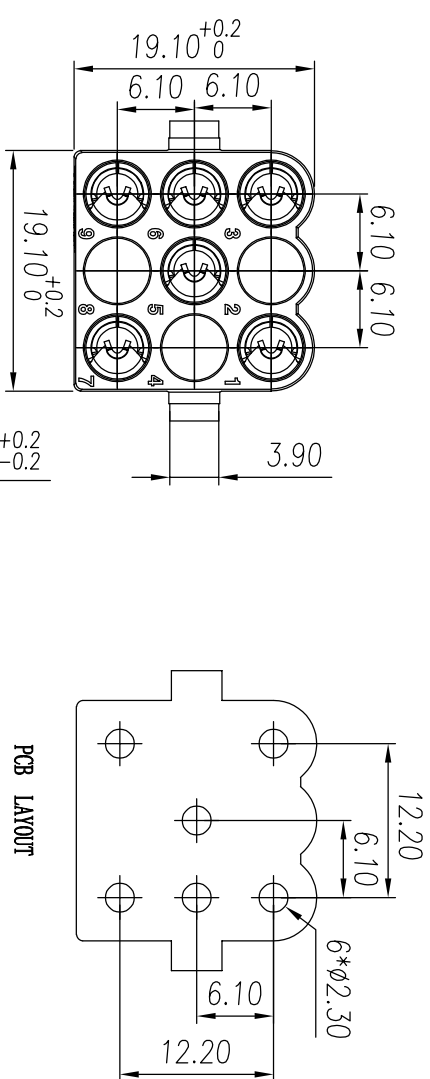
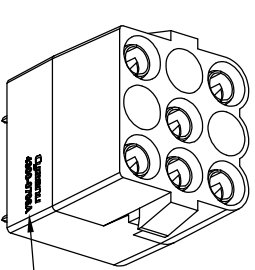
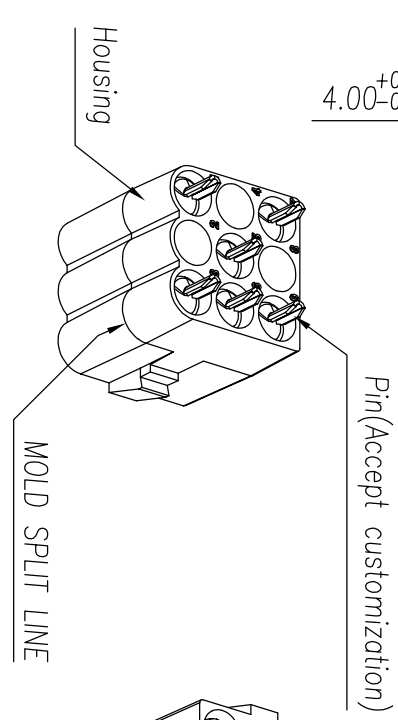
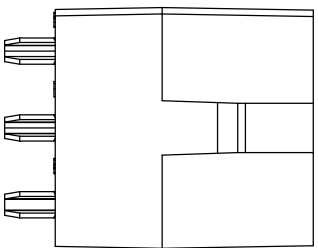
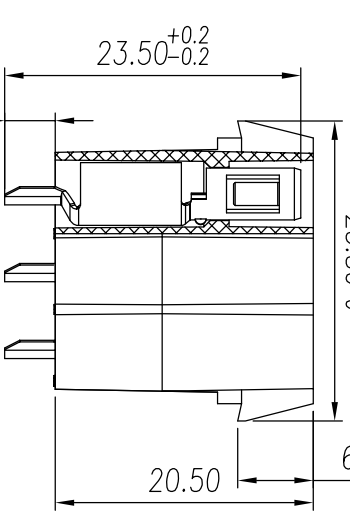


| REV | ECN | SIGN | DATE | DESCRIPTION |
|-----|-----|---------|------------|-------------|
| 1.0 | V0 | K. ZHAO | 02/10/2022 | |



NOTES:

1. Pitch : 6.1 mm, Poles : N=06 P
2. Rate voltage(V): 250 ,Rate current(A): 17
3. Operating temperature: -40°C~+105°C
4. Diameter for matched male terminal: 3.55mm
5. RoHS Compliance
6. Material: Housing PA66, UL94V-0, Black
Pin Phosphor bronze, Sn plated



Company Logo

43000706AY10C
Series No
Color: 1Y, white
2Y, black
3Y, grey
4Y, green
5Y, blue
6Y, yellow
7Y, transparent
8Y, brown
Standard

| linear dimension | tolerance |
|------------------|-----------|
| over 18 to 30 | ±0.15 |
| over 30 to 50 | ±0.25 |
| over 50 to 80 | ±0.35 |
| over 80 to 120 | ±0.60 |
| over 120 to 160 | ±0.75 |
| over 160 to 200 | ±0.90 |
| all | 0.5 |
| over 5 to 30 | 0.025 |
| over 30 to 120 | 0.06 |
| over 120 to | 0.12 |
| over | 0.4 |

Remark: This drawing is a controlled document for Cymannu. All specifications are subject to change without prior notice.

| PARAMETER | VALUE | DATE | DATE | DATE | DATE |
|-----------|---------------|------------|---------------------------|------------|------------|
| DESIGNER | K. ZHAO | 02/10/2022 | 02/10/2022 | 02/10/2022 | 02/10/2022 |
| CHECKER | C. LU | | | | |
| APPROVER | H. JIANG | | | | |
| PART NO. | 43000706A210C | TITLE | 4300-0706A, PCB connector | CUSTOMER | 21030-006 |
| SIZE | A4 | SCALE | 5 : 3 | SHEET | 1 / 1 |
| UNIT | mm | | | | |

Cymannu 囍字電子
NINGBO CHANGYU ELECTRONICS MANUFACTURING CO., LTD
Email: sales@cymannu.com WWW.CYMANNU.COM