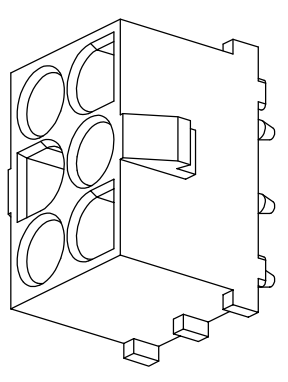
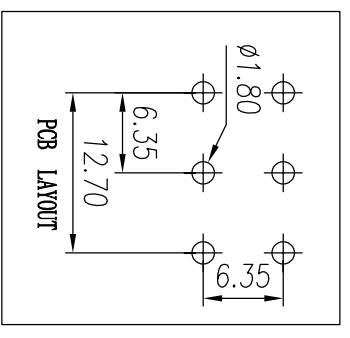
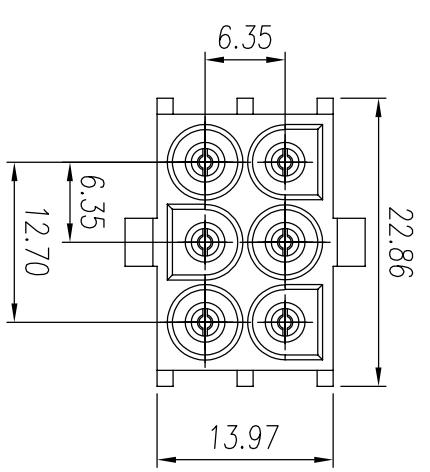
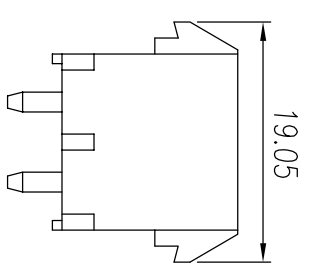
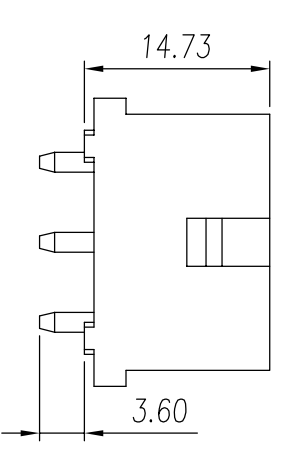


REV	ECN	SIGN	DATE	DESCRIPTION
1.0	V0	K. ZHAO	12/10/2020	



NOTES:

1. Pitch : 6.35 mm, Poles : N=02*3 P
2. Rate voltage(V): 600 ,Rate current(A):12
3. Operating temperature: -40°C~+105°C
4. Diameter for matched male terminal: 2.13mm
5. RoHS Compliance
6. Material: Housing PA66, UL94V-0
Pin Phosphor bronze, Sn plated



43000806HYY10C
Series No _____ Standard

- Color: 1Y, white
2Y, black
3Y, grey
4Y, green
5Y, blue
6Y, yellow
7Y, transparent
8Y, brown

Remark: This drawing is a controlled document for Cymannu. All specifications are subject to change without prior notice.

linear dimension		≡	—	□	//	⊥						
tolerance	±0.15	±0.25	±0.35	±0.45	±0.60	±0.75	±0.90	0.5	0.025	0.06	0.12	0.4
variable range	to 10	to 18	to 30	to 50	to 80	to 120	to 160	to 200	all	to 5	to 30	to 120
over	18	30	50	80	120	160	200			5	30	120

SIZE:	A4	SCALE:	5 : 3	CHECKED:	C. LU	DATE:	12/10/2021
UNIT: mm	1 / 1	SHEET:	1 / 1	APPROVED:	H. JIANG	DATE:	12/10/2021

PARA. NO.:	43000806HYY10C
TITLE:	PCB connector
CUSTOMER:	

Cymannu 嚒字電子
NINGBO CHANGYU ELECTRONICS MANUFACTURING CO., LTD
Email: sales@cymannu.com WWW.CYMANNU.COM