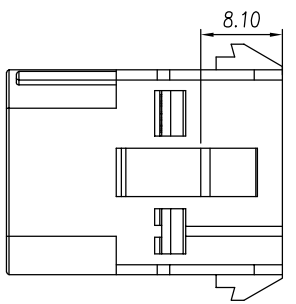
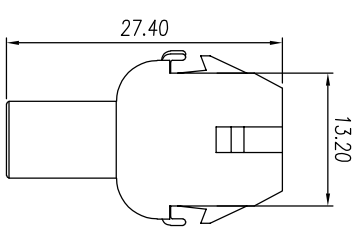
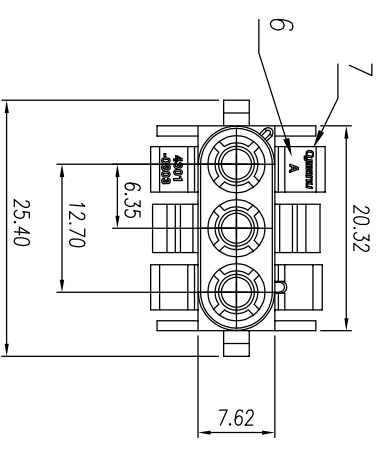
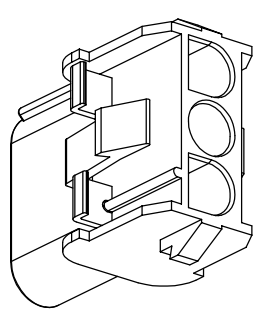
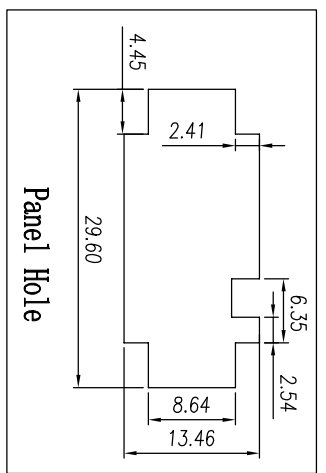


REV	ECN	SIGN	DATE	DESCRIPTION
1.0	V0	K. ZHAO	12/04/2021	



NOTES:

- 1.Pitch : 6.35 mm, Poles : N= 03 P
- 2.Operating temperature: -40°C~+105°C
- 3.RoHS Compliance
- 4.Material: Housing Halogen free PA66,UL94V-0
- 5.Applicable Panel:Panel Hole
Panel Thickness t=1.0~2.3
- 6.Movlp Cavity-Marking
- 7.Company Logo

43010803YY10A
Standard

Series No
Color: 1Y, white
2Y, black
3Y, grey
4Y, green
5Y, blue
6Y, yellow
7Y, transparent
8Y, brown

linear dimension	
tolerance	±0.15
over	±0.25
over	±0.35
over	±0.45
over	±0.60
over	±0.75
over	±0.90
all	0.5
over	0.025
over	0.06
over	0.12
over	0.4

Remark: This drawing is a controlled document for Cymannu. All specifications are subject to change without prior notice.

variable range	over	over	over	over	over	over	over	all	over	over	over
to 10	18 to 30	30 to 50	50 to 80	80 to 120	120 to 160	160 to 200		5 to 5	5 to 30	30 to 120	120 to
±0.15	±0.25	±0.35	±0.45	±0.60	±0.75	±0.90	0.5	0.025	0.06	0.12	0.4

SIZE: A4	SCALE: 4:3	DRAWN: K. ZHAO	CHECKED: C. LU	APPROVED: H. JIANG	DATE: 12/04/2021	DATE: 12/04/2021	DATE: 12/04/2021	DATE: 12/04/2021
UNIT: mm	SHEET: 1 / 1	PART NO: 43010803YY10A		TITLE: Connector sheath		CUSTOMER:		

Cymannu 矽宇電子
NINGBO CHANGTU ELECTRONICS MANUFACTURING CO., LTD
Email: sales@cymannu.com WWW.CYMANNU.COM