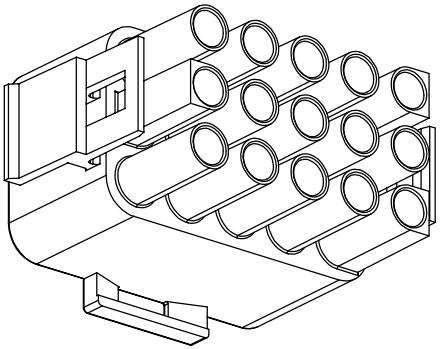
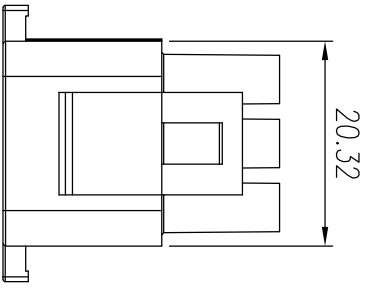
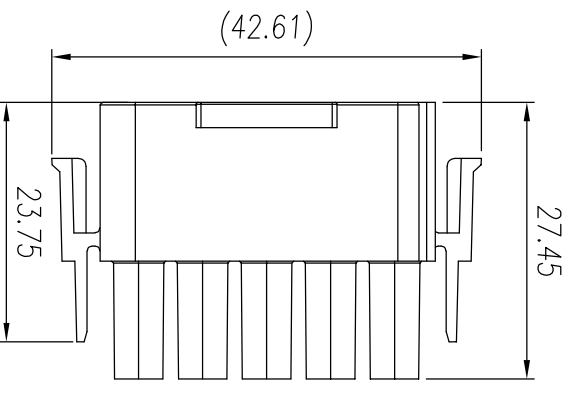
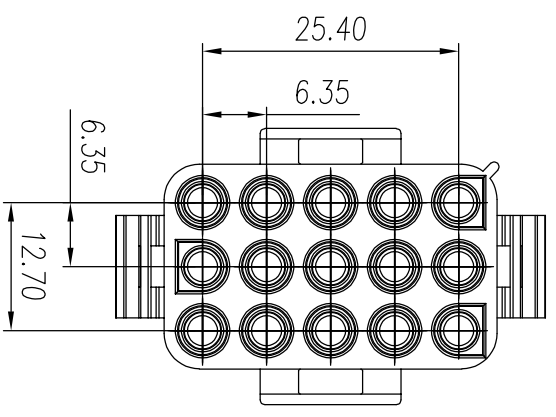


REV	ECN	SIGN	DATE	DESCRIPTION
1.0	V0	K. ZHAO	12/17/2021	



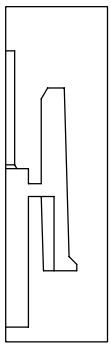
NOTES:

1. Pitch : 6.35 mm, Poles : N=05*3 P
2. Operating temperature: -40°C~+105°C
3. RoHS Compliance
4. Material: Housing PA66, UL94V-0

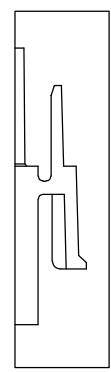


43020815HYY10A
Standard

Series No
Color: 1Y, white
2Y, black
3Y, grey
4Y, green
5Y, blue
6Y, yellow
7Y, transparent
8Y, brown



43020815HYY20A



43020815HYY10A

Remark: This drawing is a controlled document for Cymannu. All specifications are subject to change without prior notice.

Linear dimension	
over 10 to 18	over 30 to 50
over 18 to 30	over 50 to 80
over 30 to 50	over 80 to 120
over 50 to 80	over 120 to 160
over 80 to 120	over 160 to 200
all	5 to 5
5 to 5	30 to 30
over 30 to 30	over 120 to 120
over 120 to 120	0.5 to 0.5
0.5 to 0.5	0.025 to 0.025
0.025 to 0.06	0.06 to 0.12
0.12 to 0.4	0.4 to 0.4

SIZE: A4	SCALE: 4:3	CHECKED: C. LU	DATE: 12/17/2021	TITLE: Connector sheath
UNIT: mm	SHEET: 1/1	APPROVED: H. JIANG	DATE: 12/17/2021	CUSTOMER:

NINGBO CHANGTU ELECTRONICS MANUFACTURING CO., LTD
 Email: sales@cymannu.com
 WWW.CYMANNU.COM