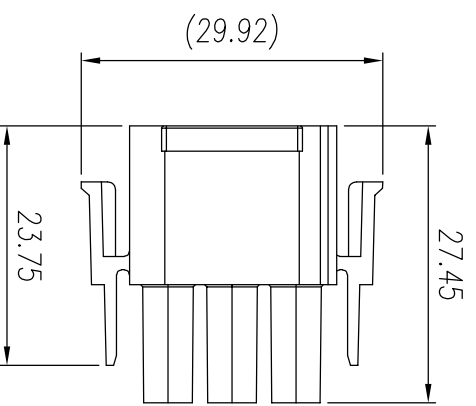
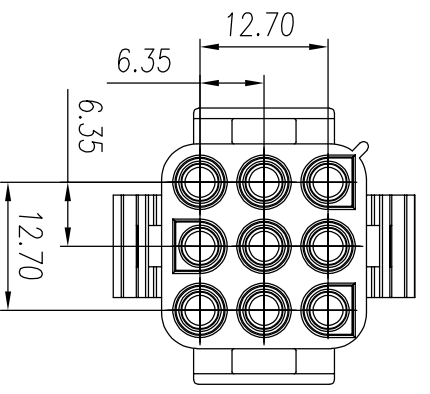
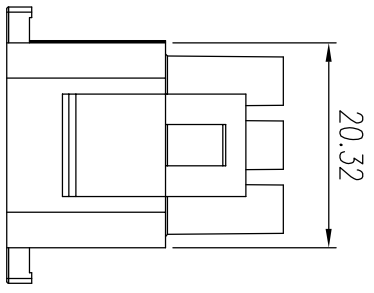
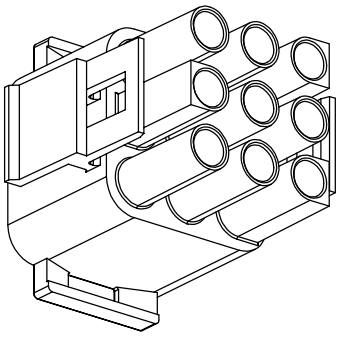


REV	ECN	SIGN	DATE	DESCRIPTION
1.0	V0	K. ZHAO	12/17/2021	

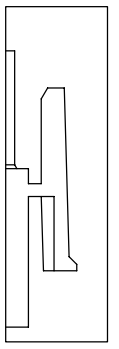


NOTES:

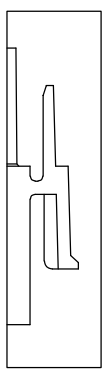
1. Pitch : 6.35 mm, Poles : N=03*3 P
2. Operating temperature: -40°C~+105°C
3. RoHS Compliance
4. Material: Housing PA66,UL94V-0

43020809HYY10A
Series No _____ Standard

Color: 1Y, white
 2Y, black
 3Y, grey
 4Y, green
 5Y, blue
 6Y, yellow
 7Y, transparent
 8Y, brown



43020809HYY20A



43020809HYY10A

Remark: This drawing is a controlled document for Cymannu. All specifications are subject to change without prior notice.

Linear dimension	over 18 to 30	over 30 to 50	over 50 to 80	over 80 to 120	over 120 to 160	over 160 to 200	all	to 5	over 5 to 30	over 30 to 120	over 120 to	
tolerance	±0.15	±0.25	±0.35	±0.45	±0.60	±0.75	±0.90	0.5	0.025	0.06	0.12	0.4

SIZE: A4	SCALE: 4:3	SHEET: 1/1
----------	------------	------------

DESIGNED: K. ZHAO	CHECKED: C. LU	APPROVED: H. JIANG
DATE: 12/17/2021	DATE: 12/17/2021	DATE: 12/17/2021

PART NO: 43020809HYY10A	TITLE: Connector sheath
CUSTOMER:	

Cymannu 嚒字電子
 NINGBO CHANGTU ELECTRONICS MANUFACTURING CO., LTD
 Email: sales@cymannu.com WWW.CYMANNU.COM