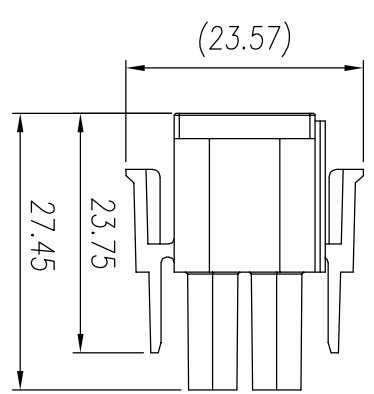
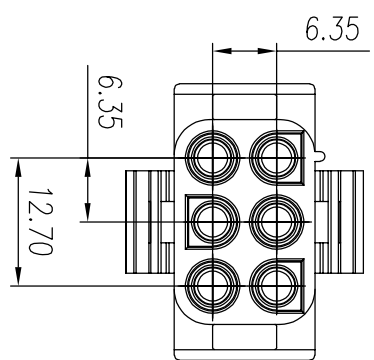
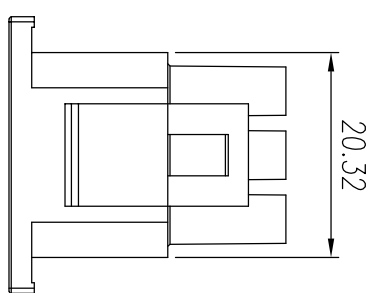
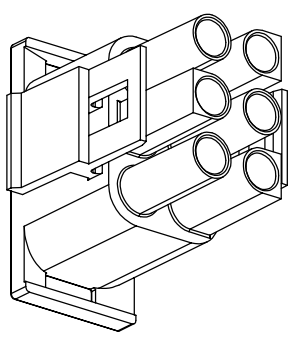


REV	ECN	SIGN	DATE	DESCRIPTION
1.0	V0	K. ZHAO	12/17/2021	

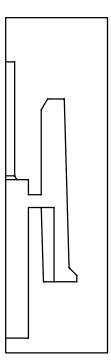


NOTES:

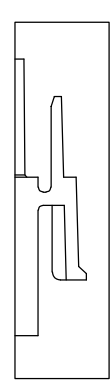
1. Pitch : 6.35 mm, Poles : N=02*3 P
2. Operating temperature: -40°C~+105°C
3. RoHS Compliance
4. Material: Housing PA66, UL94V-0

43020806HYY10A
Standard

Series No
Color: 1Y, white
2Y, black
3Y, grey
4Y, green
5Y, blue
6Y, yellow
7Y, transparent
8Y, brown



43020806HYY20A



43020806HYY10A

Remark: This drawing is a controlled document for Cymannu. All specifications are subject to change without prior notice.

Linear dimension	≡	□	∥	⊥
over 18 to 30	over 30 to 50	over 50 to 80	over 80 to 120	over 120 to 160
over 30 to 50	over 50 to 80	over 80 to 120	over 120 to 160	over 160 to 200
all	to 5	to 5 to 30	to 30 to 120	to 120 to 120
0.5	0.025	0.06	0.12	0.4

SIZE: A4	SCALE: 4:3	SHEET: 1/1
----------	------------	------------

DESIGNED: K. ZHAO	CHECKED: C. LU	APPROVED: H. JIANG
DATE: 12/17/2021	DATE: 12/17/2021	DATE: 12/17/2021

PART NO.: 43020806HYY10A	TITLE: Connector sheath
--------------------------	-------------------------

Cymannu 嚒字電子
NINGBO CHANGTU ELECTRONICS MANUFACTURING CO., LTD
Email: sales@cymannu.com WWW.CYMANNU.COM