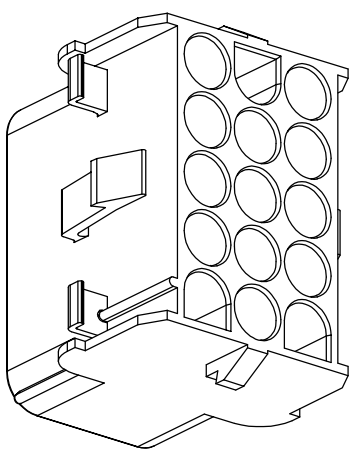
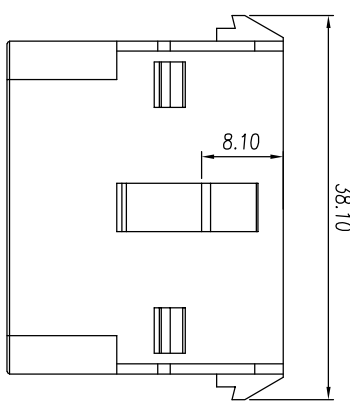
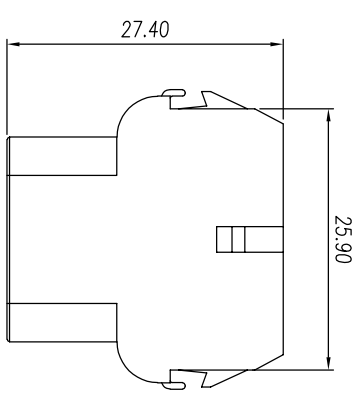
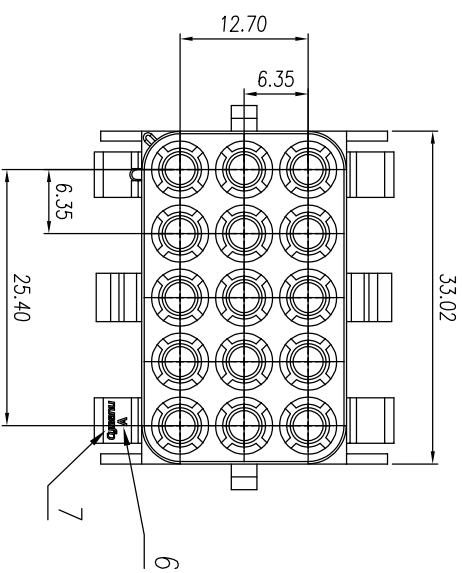
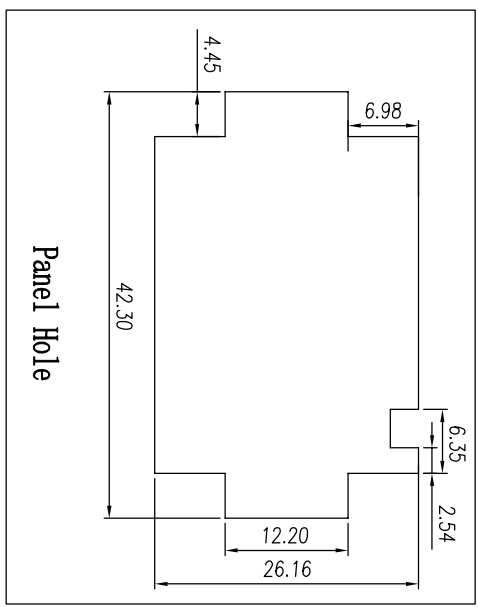


REV	ECN	SIGN	DATE	DESCRIPTION
1.0	V0	K. ZHAO	12/29/2021	



NOTES:

- 1.Pitch : 6.35 mm, Poles : N=15 P
- 2.Operating temperature: -40°C~+105°C
- 3.RoHS Compliance
- 4.Material: Housing Halogen free PA66,UL94V-0
- 5.Applicable Panel:Panel Hole
Panel Thickness t=1.0~2.3
- 6.Movlp Cavity-Marking
- 7.Company Logo

43010815HY10A
Series No
Color: 1Y,white
2Y,black
3Y,greY
4Y,green
5Y,blue
6Y,yellow
7Y,transparent
8Y,brown
Standard

Remark: This drawing is a controlled document for Cymannu. All specifications are subject to change without prior notice.

	linear dimension										≡	□	//	⊥	
variable range	to 10	over 18 to 30	over 30 to 50	over 50 to 80	over 80 to 120	over 120 to 160	over 160 to 200	all	to 5	over 5 to 30	over 30 to 120	over 120 to			
tolerance	±0.15	±0.25	±0.35	±0.45	±0.60	±0.75	±0.90	0.5	0.025	0.06	0.12	0.4			

 SIZE: A4 SCALE: 4:3 SHEET: 1/1 UNIT: mm	DRAWN: K. ZHAO CHECKED: C. LU APPROVED: H. JIANG DATE: 12/29/2021	PART NO.: 43010815HY10A TITLE: Connector sheath CUSTOMER:	 Cymannu 囍字電子 NINGBO CHANGTU ELECTRONICS MANUFACTURING CO., LTD Email: sales@cymannu.com WWW.CYMANNU.COM
--	--	---	--