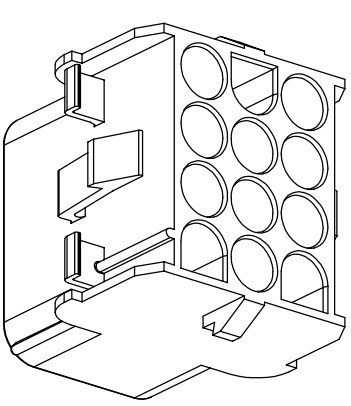
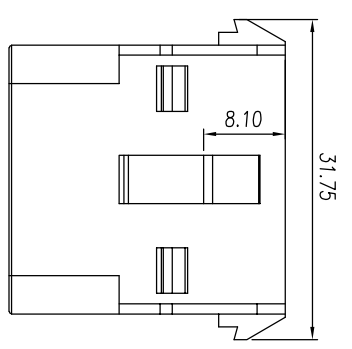
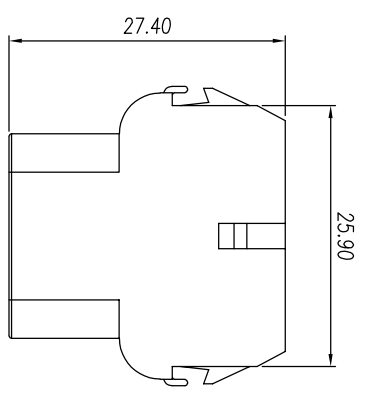
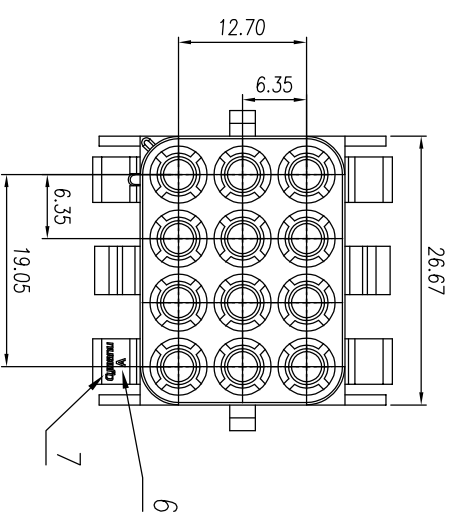
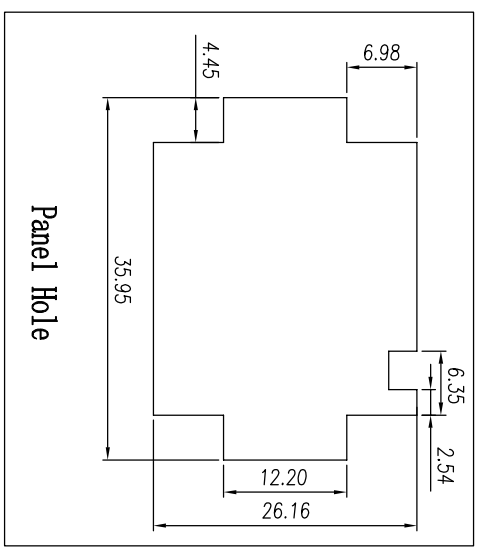


REV	ECN	SIGN	DATE	DESCRIPTION
1.0	V0	K. ZHAO	12/29/2021	



NOTES:

1. Pitch : 6.35 mm, Poles : N=12 P
2. Operating temperature: -40°C~+105°C
3. RoHS Compliance
4. Material: Housing Halogen free PA66,UL94V-0
5. Applicable Panel: Panel Hole
Panel Thickness t=1.0~2.3
6. Mould Cavity-Marking
7. Company Logo

Series No 43010812HY110A
Standard

- Color: 1Y, white
2Y, black
3Y, grey
4Y, green
5Y, blue
6Y, yellow
7Y, transparent
8Y, brown

Remark: This drawing is a controlled document for Cymannu. All specifications are subject to change without prior notice.

variable range	linear dimension											
	over 10 to	over 18 to	over 30 to	over 50 to	over 80 to	over 120 to	over 160 to	over 200 to	all 5 to	over 5 to	over 30 to	over 120 to
tolerance	±0.15	±0.25	±0.35	±0.45	±0.60	±0.75	±0.90	0.5	0.025	0.06	0.12	0.4

SIZE: A4	SCALE: 4:3	DRAWN: K. ZHAO	CHECKED: C. LU	DATE: 12/29/2021
UNIT: mm	SHEET: 1/1	APPROVED: H. JIANG	DATE: 12/29/2021	

PART NO: 43010812HY110A	TITLE: Connector sheath
CUSTOMER:	

Cymannu 矽宇電子
NINGBO CHANGTU ELECTRONICS MANUFACTURING CO., LTD
Email: sales@cymannu.com WWW.CYMANNU.COM