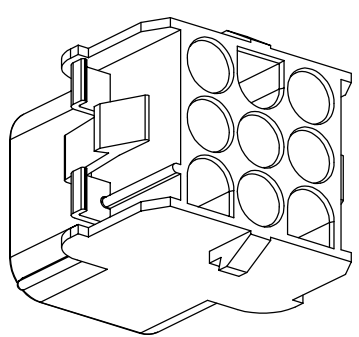
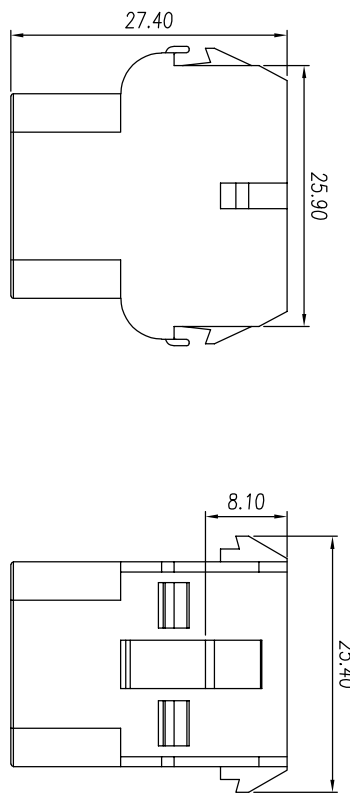
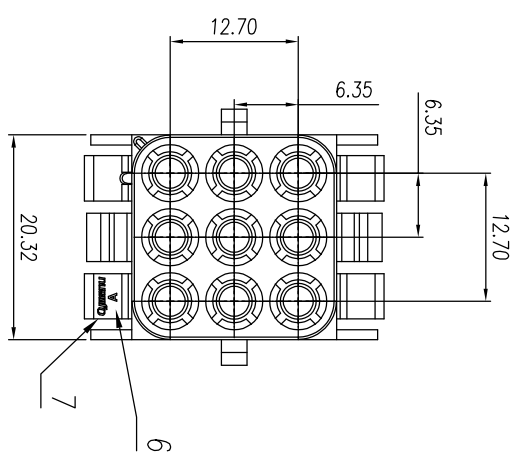
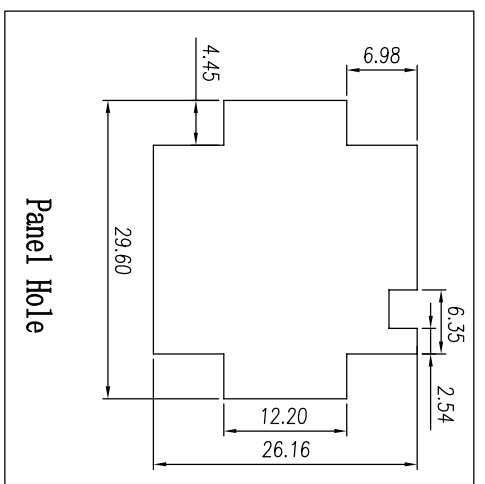


REV	ECN	SIGN	DATE	DESCRIPTION
1.0	V0	K. ZHAO	12/25/2021	



NOTES:

1. Pitch : 6.35 mm, Poles : N= 09 P
2. Operating temperature: -40°C~+105°C
3. RoHS Compliance
4. Material: Housing Halogen free PA66,UL94V-0
5. Applicable Panel: Panel Hole  
Panel Thickness t=1.0~2.3
6. Mould Cavity-Marking
7. Company Logo

Series No 43010809HYY10A  
 Color: 1Y, white  
 2Y, black  
 3Y, grey  
 4Y, green  
 5Y, blue  
 6Y, yellow  
 7Y, transparent  
 8Y, brown  
 Standard

variable range	linear dimension										tolerance	
	over 10 to 18	over 18 to 30	over 30 to 50	over 50 to 80	over 80 to 120	over 120 to 160	over 160 to 200	all 5 to 5	over 5 to 30	over 30 to 120		
	±0.15	±0.25	±0.35	±0.45	±0.60	±0.75	±0.90	0.5	0.025	0.06	0.12	0.4

SIZE: A4	SCALE: 4 : 3	SHEET: 1 / 1	UNIT: mm	DATE: 12/25/2021	DATE: 12/25/2021
DRAWN: K. ZHAO CHECKED: C. LU APPROVED: H. JIANG		PART NO.: 43010809HYY10A TITLE: Connector sheath CUSTOMER:		Remark: This drawing is a controlled document for Cymannu. All specifications are subject to change without prior notice.	

**Cymannu** 囍字電子  
 NINGBO CHANGTU ELECTRONICS MANUFACTURING CO., LTD  
 Email: sales@cymannu.com WWW.CYMANNU.COM