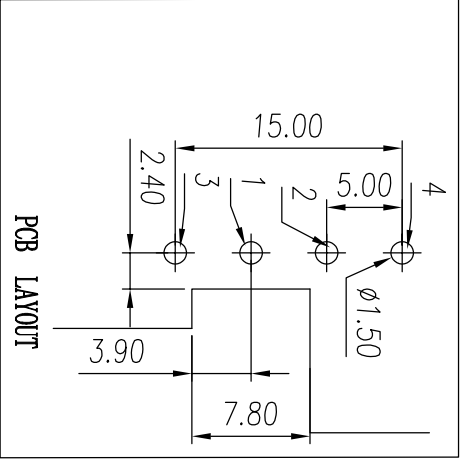


REV	ECN	SIGN	DATE	DESCRIPTION
1.0	V0	K. ZHAO	08/25/2021	



NOTES:

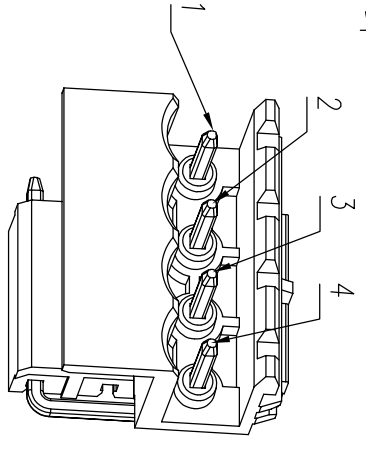
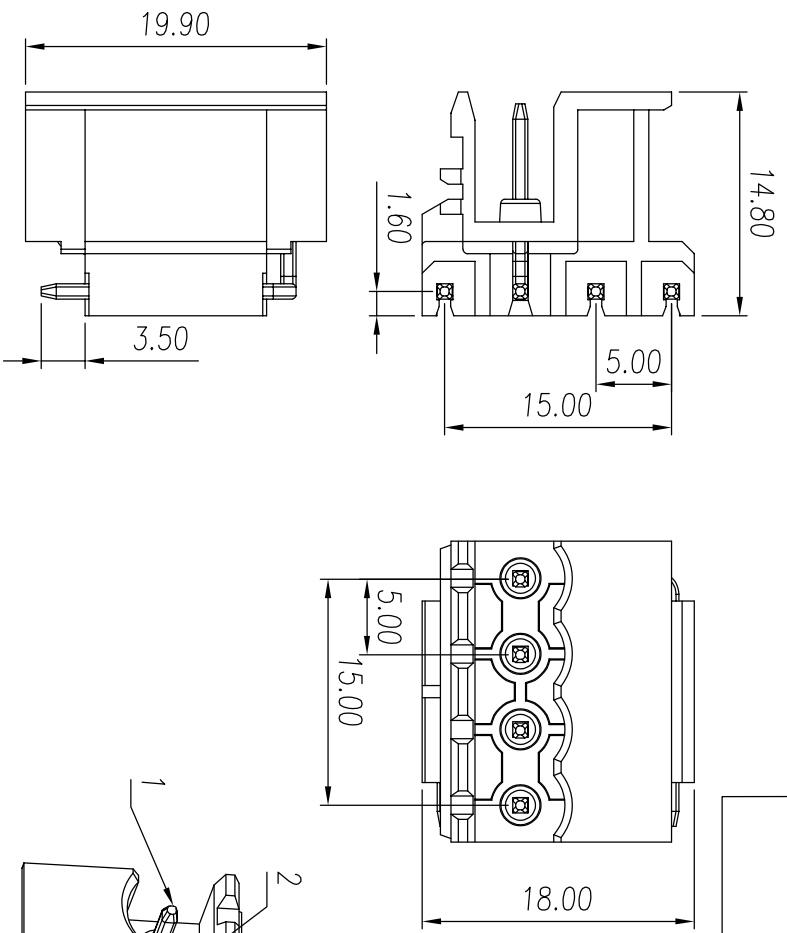
1. UL Standard

Application	B	C	D
Rate voltage(V)	300	/	300
Rate current(A)	12	/	10
Rate impulse voltage(KV)	1.6		

2. IEC Standard

Pollution degree	2	2	3
Overvoltage category	II	III	III
Rate impulse voltage(KV)	4	4	4
Rate voltage(V)	320	320	250
Rate current(A)	15		

- 3. Pitch : 5.0 mm
- 4. Operating temperature: -40°C~+105°C
- 5. RoHS Compliance
- 6. Material: Housing PA66,UL94V-0  
Pin copper alloy,Sn plated



CYE225 - 500 - 04P - 1YY - Y00A  
 Series No      Pitch      Poles      Single Pitch  
 Standard  
 Color: 1Y, white  
 2Y, black  
 3Y, grey  
 4Y, green  
 5Y, blue  
 6Y, yellow  
 7Y, transparent  
 8Y, brown

Remark: This drawing is a controlled document for Cymannu. All specifications are subject to change without prior notice.

tolerance	linear dimension								≡	—	□	//	⊥	
	±0.15	±0.25	±0.35	±0.45	±0.60	±0.75	±0.90	0.5						
variable range	to 10	over 18 to 30	over 30 to 50	over 50 to 80	over 80 to 120	over 120 to 160	over 160 to 200	all	to 5	over 5 to 30	over 30 to 120	over 120 to		

SIZE: A4	SCALE: 2 : 1	DRAWN: K. ZHAO	CHECKED: C. LU	APPROVED: H. JIANG
UNIT: mm	SHEET: 1 / 1	DATE: 08/25/2021	DATE: 08/25/2021	DATE: 08/25/2021

PART NO: CYE225-500-04P-1YY-Y00A	TITLE: Plug in connector
CUSTOMER:	

**Cymannu** 囍字电子  
 NINGBO CHANGYU ELECTRONICS MANUFACTURING CO., LTD  
 Email: sales@cymannu.com WWW.CYMANNU.COM