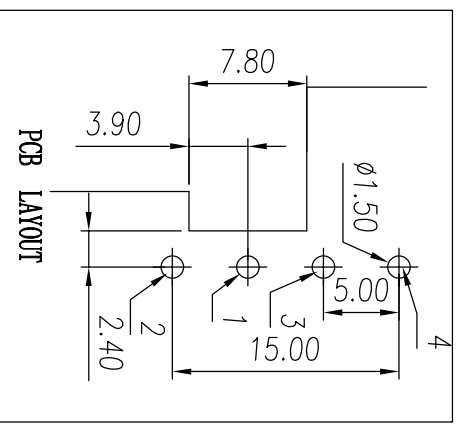
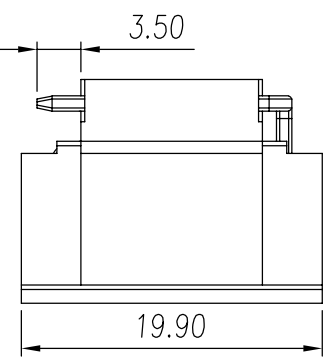
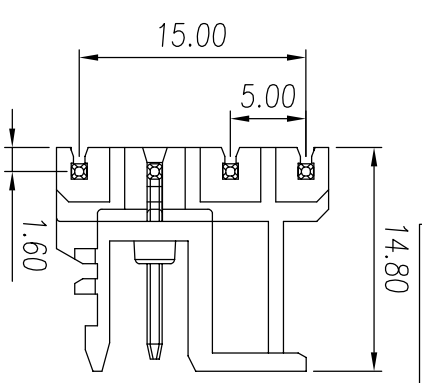
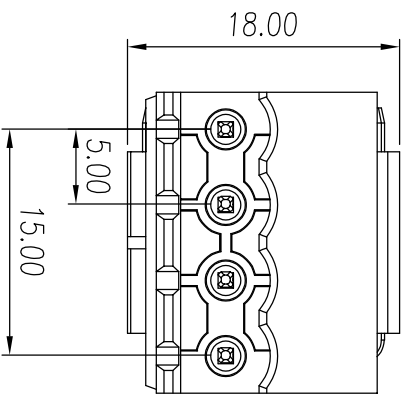
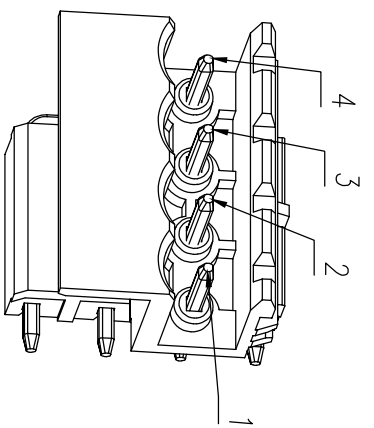


REV	ECN	SIGN	DATE	DESCRIPTION
1.0	V0	K. ZHAO	08/25/2021	



NOTES:

1. UL Standard

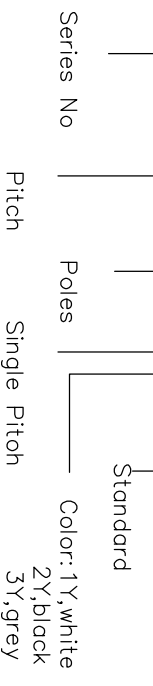
Application	B	C	D
Rate voltage(V)	300	/	300
Rate current(A)	12	/	10
Rate impulse voltage(KV)	1.6		

2. IEC Standard

Pollution degree	2	2	3
Overvoltage category	II	III	III
Rate impulse voltage(KV)	4	4	4
Rate voltage(V)	320	320	250
Rate current(A)	15		

- Pitch : 5.0 mm
- Operating temperature: -40°C~+105°C
- RoHS Compliance
- Material: Housing PA66,UL94V-0
Pin copper alloy,Sn plated

CYE225 - 500 - 04P - 1YY - Z00A



- Color: 1Y,white
2Y,black
3Y,green
4Y,green
5Y,blue
6Y,yellow
7Y,transparent
8Y,brown

Remark: This drawing is a controlled document for Cymannu. All specifications are subject to change without prior notice.

linear dimension	≡	—	□	//	⊥							
tolerance	±0.15	±0.25	±0.35	±0.45	±0.60	±0.75	±0.90	0.5	0.025	0.06	0.12	0.4
variable range	to 10	18 to 30	30 to 50	50 to 80	80 to 120	120 to 160	160 to 200	all	to 5	5 to 30	30 to 120	to 120
over	18 to 30	30 to 50	50 to 80	80 to 120	120 to 160	160 to 200	all	to 5	5 to 30	30 to 120	to 120	to 120

SIZE: A4	SCALE: 2 : 1	DRAWN: K. ZHAO	CHECKED: C. LU	DATE: 08/25/2021
UNIT: mm	SHEET: 1 / 1	APPROVED: H. JIANG	DATE: 08/25/2021	

PART NO: CYE225-500-04P-1YY-Z00A	TITLE: Plug in connector
CUSTOMER:	

Cymannu 嚒字電子
NINGBO CHANGYU ELECTRONICS MANUFACTURING CO., LTD
Email: sales@cymannu.com WWW.CYMANNU.COM