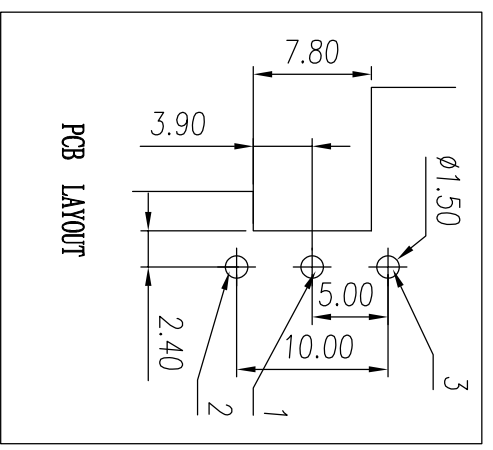


REV	ECN	SIGN	DATE	DESCRIPTION
1.0	V0	K. ZHAO	08/25/2021	



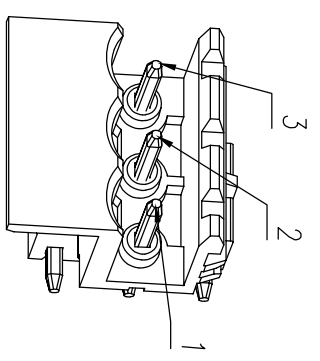
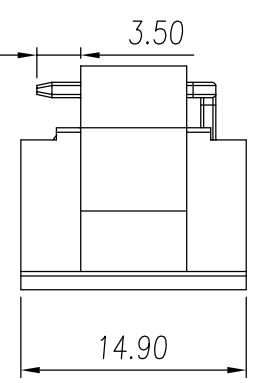
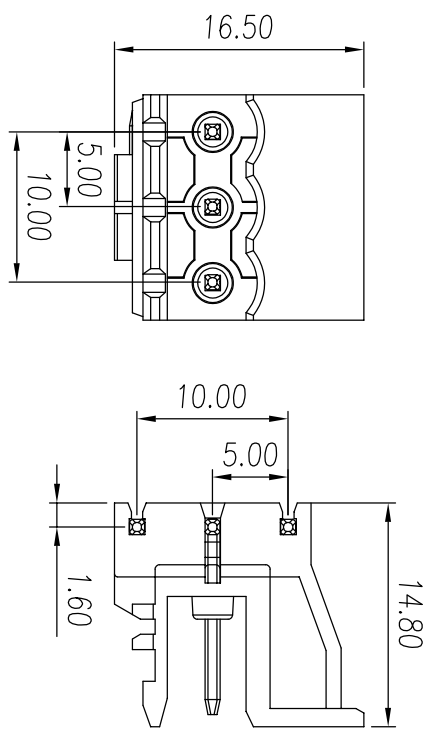
NOTES:

1. UL Standard

Application	B	C	D
Rate voltage(V)	300	/	300
Rate current(A)	12	/	10
Rate impulse voltage(KV)	1.6		

2. IEC Standard

Pollution degree	2	2	3
Overvoltage category	II	III	III
Rate impulse voltage(KV)	4	4	4
Rate voltage(V)	320	320	250
Rate current(A)	15		



- Pitch : 5.0 mm
- Operating temperature: -40°C~+105°C
- RoHS Compliance
- Material: Housing PA66,UL94V-0  
Pin copper alloy,Sn plated

CYE225 - 500 - 03P - 1YY - Z00A

Series No      Poles      Standard

Pitch      Single Pitch

- Color: 1Y,white  
2Y,black  
3Y,green  
4Y,green  
5Y,blue  
6Y,yellow  
7Y,transparent  
8Y,brown

Remark: This drawing is a controlled document for Cymannu. All specifications are subject to change without prior notice.

	linear dimension												≡	—	□	//	⊥
tolerance	±0.15	±0.25	±0.35	±0.45	±0.60	±0.75	±0.90	0.5	0.025	0.06	0.12	0.4					
variable range	to 10	over 18 to 30	over 30 to 50	over 50 to 80	over 80 to 120	over 120 to 160	over 160 to 200	all	to 5	over 5 to 30	over 30 to 120	over 120 to					

SIZE: A4	SCALE: 2 : 1	CHECKED: C. LU	DATE: 08/25/2021
UNIT: mm	SHEET: 1 / 1	APPROVED: H. JIANG	DATE: 08/25/2021

PART NO: CYE225-500-03P-1YY-Z00A	DATE: 08/25/2021
TITLE: Plug in connector	DATE: 08/25/2021
CUSTOMER:	DATE: 08/25/2021

**Cymannu** 嚒字電子

NINGBO CHANGYU ELECTRONICS MANUFACTURING CO., LTD

Email: sales@cymannu.com WWW.CYMANNU.COM