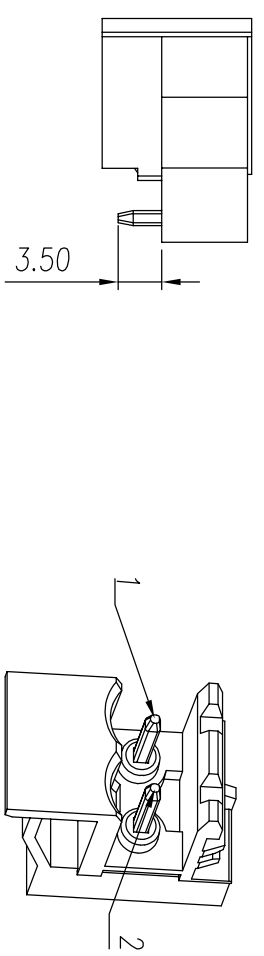
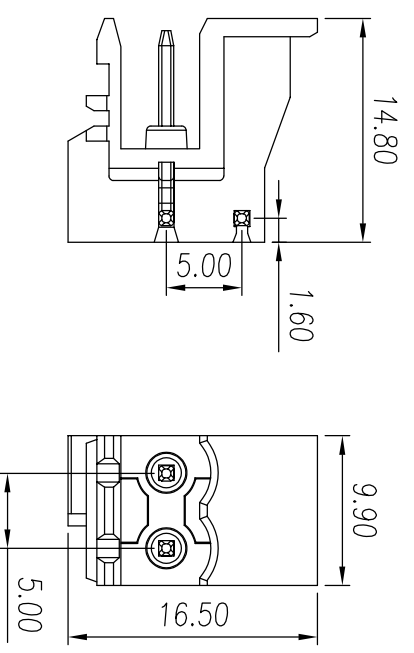
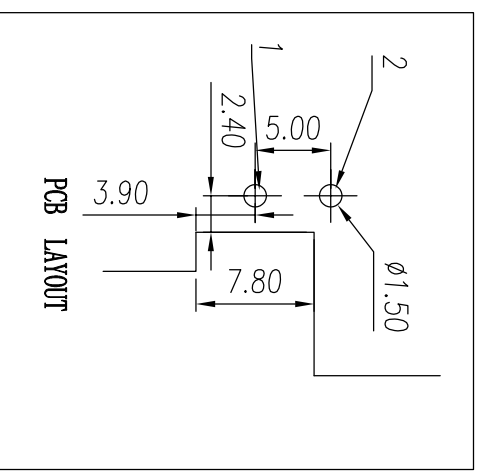


REV	ECN	SIGN	DATE	DESCRIPTION
1.0	V0	K. ZHAO	08/25/2021	



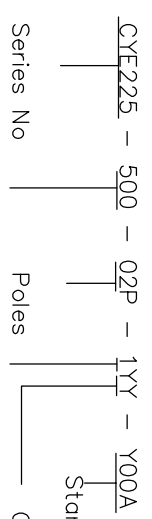
NOTES:
1. UL Standard

Application	B	C	D
Rate voltage(V)	300	/	300
Rate current(A)	12	/	10
Rate impulse voltage(KV)	1.6		

2. IEC Standard

Pollution degree	2	2	3
Overvoltage category	II	III	III
Rate impulse voltage(KV)	4	4	4
Rate voltage(V)	320	320	250
Rate current(A)	15		

- 3. Pitch : 5.0 mm
- 4. Operating temperature: $-40^{\circ}\text{C}\sim+105^{\circ}\text{C}$
- 5. RoHS Compliance
- 6. Material: Housing PA66,UL94V-0
Pin copper alloy,Sn plated



- Color: 1Y,white
2Y,black
3Y,green
4Y,green
5Y,blue
6Y,yellow
7Y,transparent
8Y,brown

Remark: This drawing is a controlled document for Cymannu. All specifications are subject to change without prior notice.

tolerance	linear dimension								≡	—	□	//	⊥	
	±0.15	±0.25	±0.35	±0.45	±0.60	±0.75	±0.90	±0.90						
variable range	to 10	18 to 30	30 to 50	50 to 80	80 to 120	120 to 160	160 to 200	all	0.5	to 5	0.025	over 5 to 30	over 30 to 120	over 120 to

SIZE: A4	SCALE: 2 : 1	CHECKED: C. LU	DATE: 08/25/2021
UNIT: mm	SHEET: 1 / 1	APPROVED: H. JIANG	DATE: 08/25/2021

DRWING: K. ZHAO	DATE: 08/25/2021	PART NO.: CYE225-500-02P-1YY-Y00A
CHECKED: C. LU	DATE: 08/25/2021	TITLE: Plug in connector
APPROVED: H. JIANG	DATE: 08/25/2021	CUSTOMER:

Cymannu 囍字電子
NINGBO CHANGTU ELECTRONICS MANUFACTURING CO., LTD
Email: sales@cymannu.com WWW.CYMANNU.COM