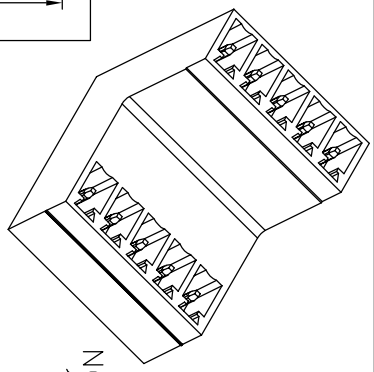


REV	ECN	SIGN	DATE	DESCRIPTION
1.0	V0	K. ZHAO	08/23/2021	



NOTES:

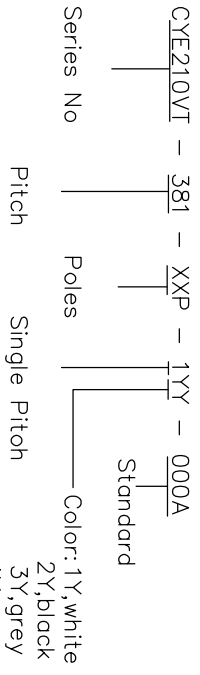
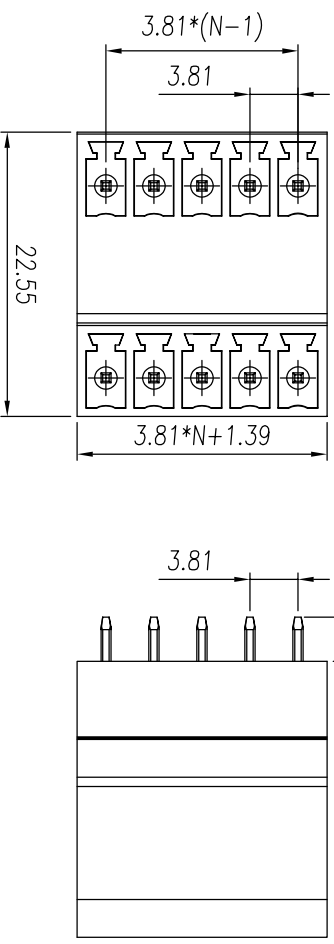
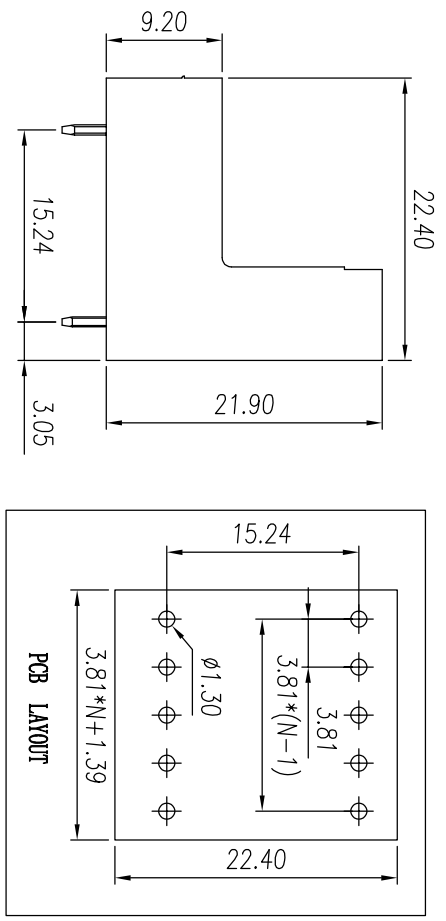
1. UL Standard

Application	B	C	D
Rate voltage(V)	300	/	300
Rate current(A)	8	/	8
Rate impulse voltage(KV)	1.6		

2. IEC Standard

Pollution degree	2	2	3
Overvoltage category	II	III	III
Rate impulse voltage(KV)	2.5	2.5	2.5
Rate voltage(V)	320	160	160
Rate current(A)	7		

- 3. Pitch : 3.81 mm
- 4. Operating temperature: -40°C~+105°C
- 5. RoHS Compliance
- 6. Material: Housing PA66,UL94V-0
Pin copper alloy,Sn plated



- Color: 1Y, white
2Y, black
3Y, grey
4Y, green
5Y, blue
6Y, yellow
7Y, transparent
8Y, brown

Remark: This drawing is a controlled document for Cymannu. All specifications are subject to change without prior notice.

tolerance	±0.15	±0.25	±0.35	±0.45	±0.60	±0.75	±0.90	0.5	0.025	0.06	0.12	0.4
variable range	to 10	over 18 to 30	over 30 to 50	over 50 to 80	over 80 to 120	over 120 to 160	over 160 to 200	all	to 5	over 5 to 30	over 30 to 120	over 120 to

SIZE: A4	SCALE: 5 : 3	CHECKED: C. LU	APPROVED: H. JIANG	DATE: 08/23/2021	DATE: 08/23/2021	DATE: 08/23/2021
UNIT: mm	SHEET: 1 / 1	DRAWN: K. ZHAO	PART NO.: CYE210VT-381-XXP-1YY-000A	TITLE: Plug in connector	CUSTOMER:	

NINGBO CHANGYU ELECTRONICS MANUFACTURING CO., LTD
Email: sales@cymannu.com WWW.CYMANNU.COM

