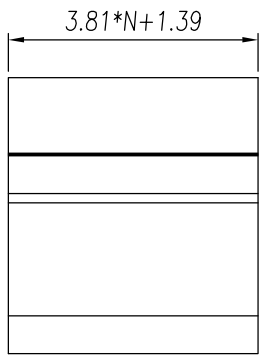
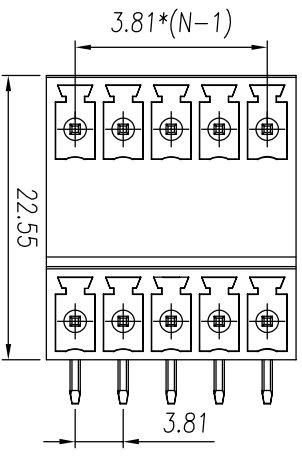
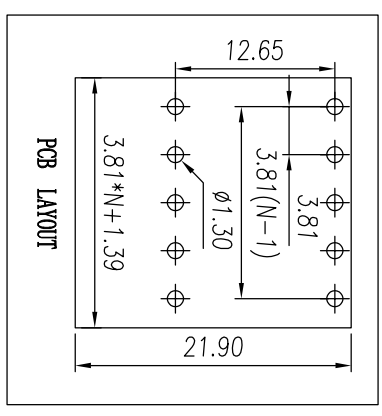
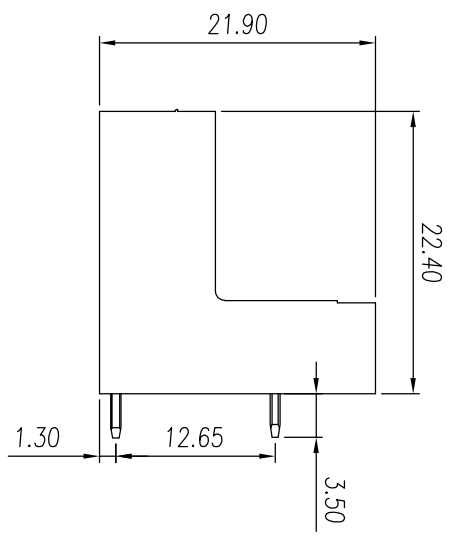
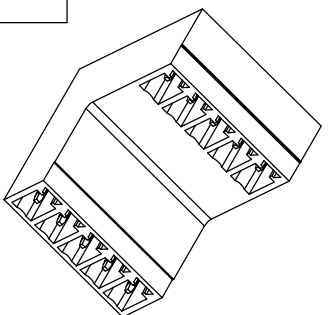


REV	ECN	SIGN	DATE	DESCRIPTION
1.0	V0	K. ZHAO	08/23/2021	



NOTES:

1. UL Standard

Application	B	C	D
Rate voltage(V)	300	/	300
Rate current(A)	8	/	8
Rate impulse voltage(KV)	1.6		

2. IEC Standard

Pollution degree	2	2	3
Overvoltage category	II	III	III
Rate impulse voltage(KV)	2.5	2.5	2.5
Rate voltage(V)	320	160	160
Rate current(A)	7		

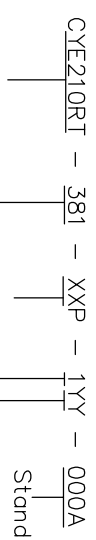
3. Pitch : 3.81 mm

4. Operating temperature: -40°C~+105°C

5. RoHS Compliance

6. Material: Housing PA66,UL94V-0

Pin copper alloy,Sn plated



Series No

Poles

Pitch Single Pitch

Standard

- Color: 1Y, white  
 2Y, black  
 3Y, grey  
 4Y, green  
 5Y, blue  
 6Y, yellow  
 7Y, transparent  
 8Y, brown

Remark: This drawing is a controlled document for Cymann. All specifications are subject to change without prior notice.

tolerance	linear dimension								≡	—	□	//	⊥
	±0.15	±0.25	±0.35	±0.45	±0.60	±0.75	±0.90	±0.90					
variable range	to 10	over 18 to 30	over 30 to 50	over 50 to 80	over 80 to 120	over 120 to 160	over 160 to 200	all	to 5	over 5 to 30	over 30 to 120	over 120 to	

SIZE: A4	SCALE: 5 : 3	CHECKED: C. LU	DATE: 08/23/2021	DRAWN: K. ZHAO	DATE: 08/23/2021	PART NO.: CYE210RT-381-XXP-1YY-000A
UNIT: mm	SHEET: 1 / 1	APPROVED: H. JIANG	DATE: 08/23/2021			TITLE: Plug in connector

**Cymannu** 唎字電子

NINGBO CHANGYU ELECTRONICS MANUFACTURING CO., LTD

Email: sales@cymannu.com WWW.CYMANNU.COM