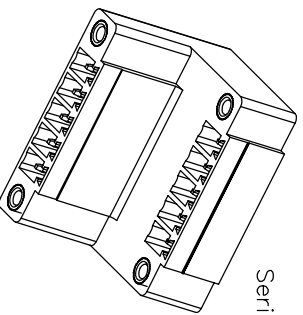
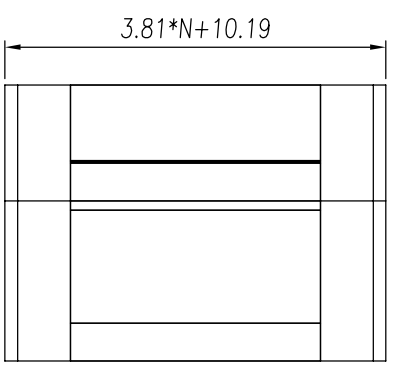
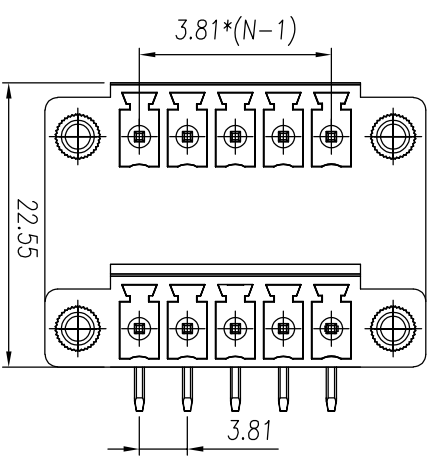
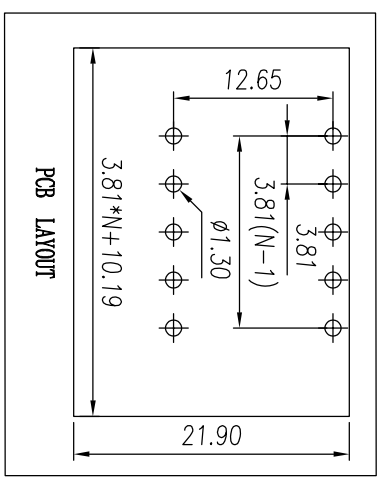
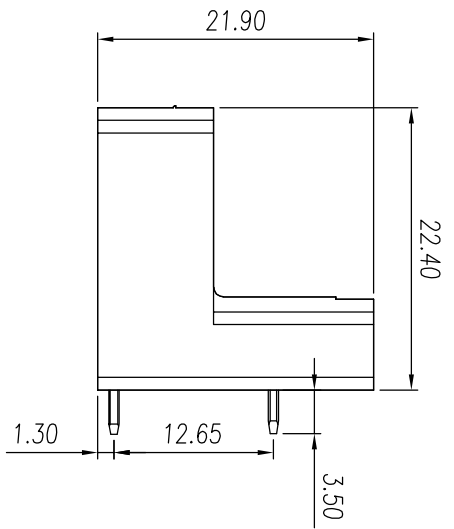


REV	ECN	SIGN	DATE	DESCRIPTION
1.0	V0	K. ZHAO	08/23/2021	



CYE210RTM - 381 - XXP - 1YY - 000A
 Series No Pitch Poles Single Pitch Standard
 Color: 1Y, white
 2Y, black
 3Y, grey
 4Y, green
 5Y, blue
 6Y, yellow
 7Y, transparent
 8Y, brown

- Pitch : 3.81 mm
- Operating temperature: -40°C~+105°C
- RoHS Compliance
- Material: Housing PA66,UL94V-0
Pin copper alloy,Sn plated

NOTES:
 1. UL Standard

Application	B	C	D
Rate voltage(V)	300	/	300
Rate current(A)	8	/	8
Rate impulse voltage(KV)	1.6		

2. IEC Standard

Pollution degree	2	2	3
Overvoltage category	II	III	III
Rate impulse voltage(KV)	2.5	2.5	2.5
Rate voltage(V)	320	160	160
Rate current(A)	7		

tolerance	linear dimension										≡	—	□	//	⊥	
	±0.15	±0.25	±0.35	±0.45	±0.60	±0.75	±0.90	0.5	0.025	0.06						0.12
variable range	to 10	over 18 to 30	over 30 to 50	over 50 to 80	over 80 to 120	over 120 to 160	over 160 to 200	all	to 5	over 5 to 30	over 30 to 120	to				

Remark: This drawing is a controlled document for Cymannu. All specifications are subject to change without prior notice.

SIZE: A4	SCALE: 5 : 3	CHECKED: C. LU	APPROVED: H. JIANG	DATE: 08/23/2021	DATE: 08/23/2021	DATE: 08/23/2021
UNIT: mm	SHEET: 1 / 1	DRAWN: K. ZHAO	PART NO.: CYE210RTM-381-XXP-1YY-000A	TITLE: Plug in connector	CUSTOMER:	

Cymannu 矽宇電子
 NINGBO CHANGYU ELECTRONICS MANUFACTURING CO., LTD
 Email: sales@cymannu.com WWW.CYMANNU.COM