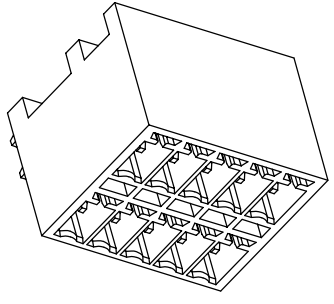
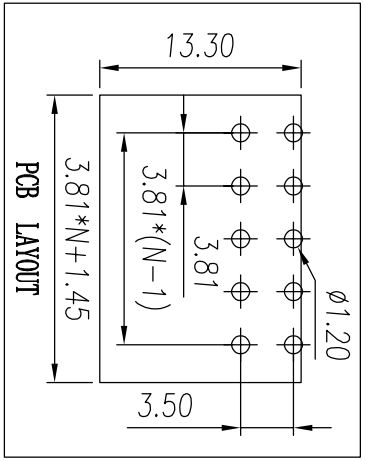
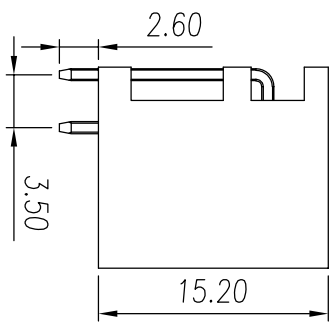
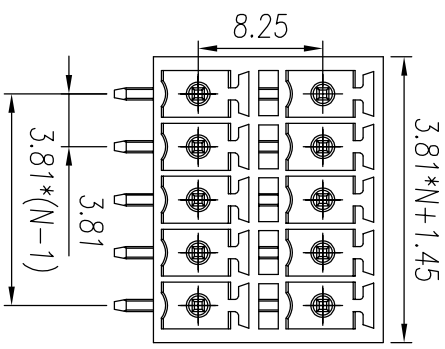
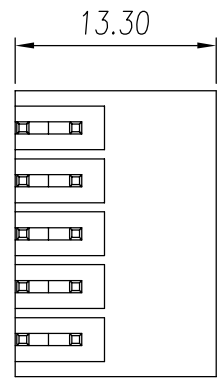


REV	ECN	SIGN	DATE	DESCRIPTION
1.0	V0	K. ZHAO	08/23/2021	



NOTES:

1. UL Standard

Application	B	C	D
Rate voltage(V)	300	/	300
Rate current(A)	8	/	8
Rate impulse voltage(KV)	1.6		

2. IEC Standard

Pollution degree	2	2	3
Overvoltage category	II	III	III
Rate impulse voltage(KV)	2.5	2.5	2.5
Rate voltage(V)	250	160	160
Rate current(A)	8		

- 3. Pitch : 3.81 mm
- 4. Operating temperature: -40°C~+105°C
- 5. RoHS Compliance
- 6. Material: Housing LCP, UL94V-0
Pin copper alloy, Sn plated

CYE215RC - 381 - XXP - 1YY - 000A

Series No Poles Single Pitch Standard
 Pitch Color: 1Y, white
 2Y, black
 3Y, grey
 4Y, green
 5Y, blue
 6Y, yellow
 7Y, transparent
 8Y, brown

Remark: This drawing is a controlled document for Cymannu. All specifications are subject to change without prior notice.

linear dimension	≡	—	□	//	⊥							
tolerance	±0.15	±0.25	±0.35	±0.45	±0.60	±0.75	±0.90	0.5	0.025	0.06	0.12	0.4
variable range	to 10	18 to 30	30 to 50	50 to 80	80 to 120	120 to 160	160 to 200	all	to 5	5 to 30	30 to 120	120 to

SIZE: A4	SCALE: 2 : 1	DRAWN: K. ZHAO	DATE: 08/23/2021	PART NO: CYE215RC-381-XXP-1YY-000A
UNIT: mm	SHEET: 1 / 1	CHECKED: C. LU	DATE: 08/23/2021	TITLE: Plug in connector
		APPROVED: H. JIANG	DATE: 08/23/2021	CUSTOMER:

Cymannu 矽宇電子
 NINGBO CHANGYU ELECTRONICS MANUFACTURING CO., LTD
 Email: sales@cymannu.com WWW.CYMANNU.COM