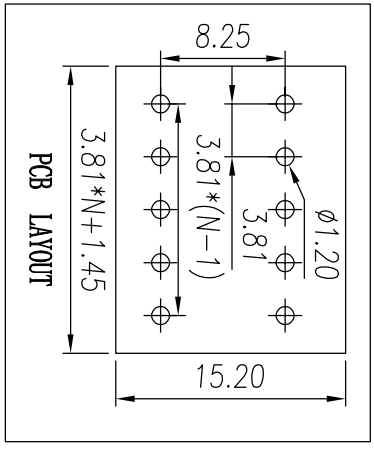
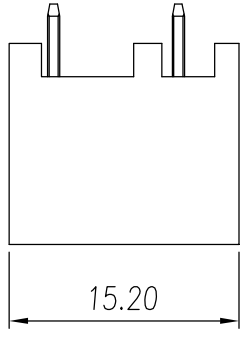
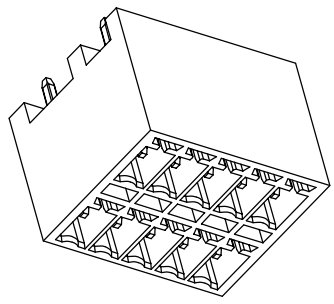
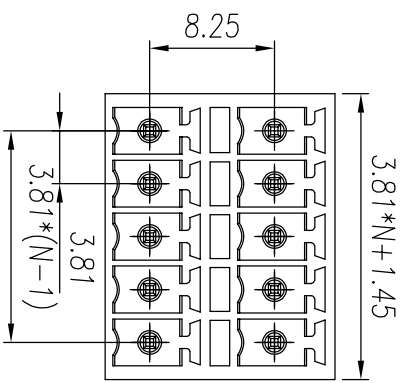
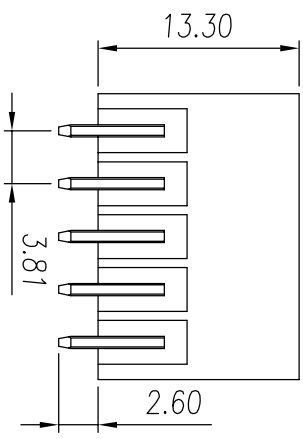


REV	ECN	SIGN	DATE	DESCRIPTION
1.0	V0	K. ZHAO	08/23/2021	



NOTES:

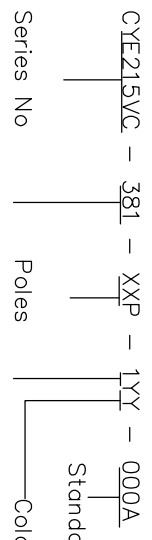
1. UL Standard

Application	B	C	D
Rate voltage(V)	300	/	300
Rate current(A)	8	/	8
Rate impulse voltage(KV)	1.6		

2. IEC Standard

Pollution degree	2	2	3
Overvoltage category	II	III	III
Rate impulse voltage(KV)	2.5	2.5	2.5
Rate voltage(V)	250	160	160
Rate current(A)	8		

3. Pitch : 3.81 mm  
 4. Operating temperature: -40°C~+105°C  
 5. RoHS Compliance  
 6. Material: Housing LCP, UL94V-0  
 Pin copper alloy, Sn plated



- Color: 1Y, white  
 2Y, black  
 3Y, grey  
 4Y, green  
 5Y, blue  
 6Y, yellow  
 7Y, transparent  
 8Y, brown

linear dimension

≡	—	□	//	⊥
---	---	---	----	---

tolerance	±0.15	±0.25	±0.35	±0.45	±0.60	±0.75	±0.90	0.5	0.025	0.06	0.12	0.4
over	18	30	50	80	120	160	200	all	5	5	30	120
to	10	30	50	80	120	160	200	to	5	30	120	to
variable range												

Remark: This drawing is a controlled document for Cymannu. All specifications are subject to change without prior notice.

SIZE: A4	SCALE: 2:1	CHECKED: C. LU	DATE: 08/23/2021	DRAWN: K. ZHAO	DATE: 08/23/2021
UNIT: mm	SHEET: 1/1	APPROVED: H. JIANG	DATE: 08/23/2021	PART NO: CYE215YC-381-XXP-1YY-000A	DATE: 08/23/2021
TITLE: Plug in connector			CUSTOMER:		

**Cymannu** 囍字電子

NINGBO CHANGYU ELECTRONICS MANUFACTURING CO., LTD

Email: sales@cymannu.com WWW.CYMANNU.COM