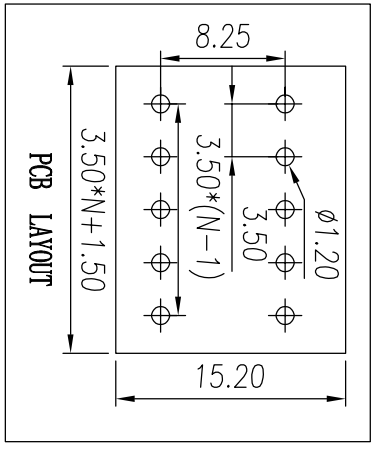
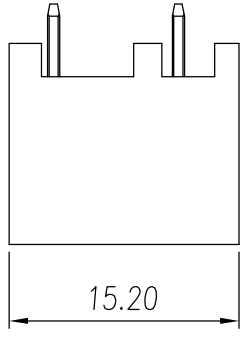
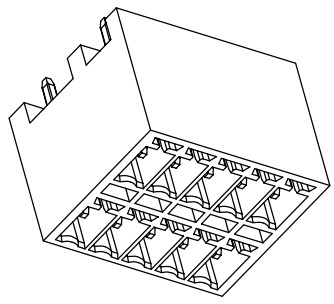
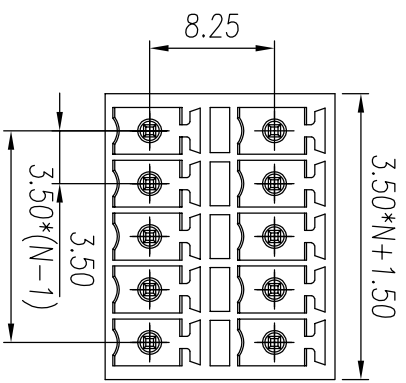
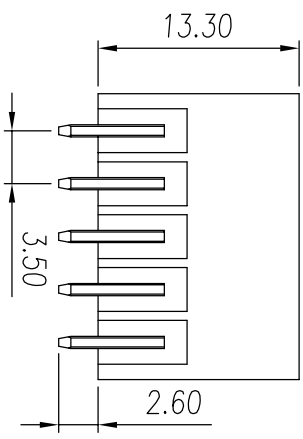


REV	ECN	SIGN	DATE	DESCRIPTION
1.0	V0	K. ZHAO	08/23/2021	



NOTES:

1. UL Standard

Application	B	C	D
Rate voltage(V)	300	/	300
Rate current(A)	8	/	8
Rate impulse voltage(KV)	1.6		

2. IEC Standard

Pollution degree	2	2	3
Overvoltage category	II	III	III
Rate impulse voltage(KV)	2.5	2.5	2.5
Rate voltage(V)	250	160	160
Rate current(A)	8		

3. Pitch : 3.5 mm
 4. Operating temperature: -40°C~+105°C
 5. RoHS Compliance
 6. Material: Housing LCP, UL94V-0
 Pin copper alloy, Sn plated

CYE215YC - 350 - XXP - 1YY - 000A

Series No Poles Standard

Pitch Single Pitch

- Color: 1Y, white
 2Y, black
 3Y, grey
 4Y, green
 5Y, blue
 6Y, yellow
 7Y, transparent
 8Y, brown

linear dimension

≡	—	□	//	⊥
---	---	---	----	---

tolerance	±0.15	±0.25	±0.35	±0.45	±0.60	±0.75	±0.90	0.5	0.025	0.06	0.12	0.4
variable range	to 10	over 18 to 30	over 30 to 50	over 50 to 80	over 80 to 120	over 120 to 160	over 160 to 200	all	to 5	over 5 to 30	over 30 to 120	over 120 to

Remark: This drawing is a controlled document for Cymannu. All specifications are subject to change without prior notice.

SIZE: A4	SCALE: 2 : 1	CHECKED: C. LU	DATE: 08/23/2021	DRAWN: K. ZHAO	DATE: 08/23/2021
UNIT: mm	SHEET: 1 / 1	APPROVED: H. JIANG	DATE: 08/23/2021	PART NO: CYE215YC-350-XXP-1YY-000A	DATE: 08/23/2021
TITLE: Plug in connector			CUSTOMER:		

Cymannu 囍字電子

NINGBO CHANGYU ELECTRONICS MANUFACTURING CO., LTD

Email: sales@cymannu.com WWW.CYMANNU.COM